



# HYDRA MECHANICAL

## MECHANICAL CONTROL

- Available from 3 to 29 kW to meet all your needs : condos, single home, multi-apartments or light commercial
- 6 installation options
- Easy to install even in restricted space
- Certified for copper or aluminium wiring
- Approved for 208/240 V

## OUR SMALL ELECTRIC BOILER



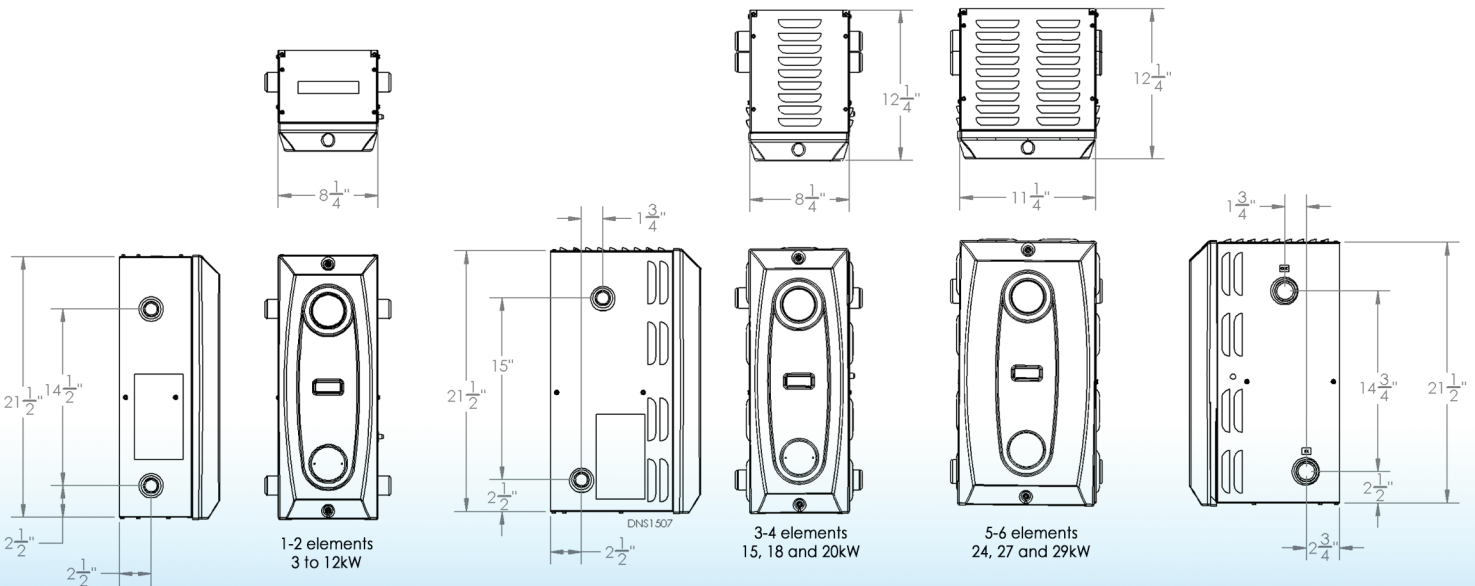


## Mechanical control by adjustable aquasat

- Adjustable mechanical high limit
- Relay with timer card for a delay on the second element
- Combined gauge for pressure and temperature
- Pump relay
- 2 Stages
- 1 terminal block for all capacities

TECHNICAL SPECIFICATIONS			
Powers	3 to 12 kW	15 to 20 kW	24 to 29 kW
Electrical Supply	240/1/60 or 208/1/60		
Weight	20 kg / 44 lb	29,5 kg / 65 lb	38,6 kg / 85 lb
Inlet/Outlet Diameter	1" npt	1" npt	1-1/4" npt

## DIMENSIONS



## PIPING INSTALLATION OPTIONS

