

Strata DNSAME115R

ERV - Energy Recovery Air Exchanger with Recirculation

Side Port Model



Top Port Model



CSA-C439-18



Air flow and performance

Voltage Benefit

Construction

Motor

Features

- Fully adjustable air flow (113 cfm @ 0 in.w.g.).
- 67% sensible recovery effectiveness at 0 °C (32 °F) 30 L/s,
60% sensible recovery effectiveness at -25 °C (-13 °F) 24 L/s.
- Recirculation defrosts.
- 120V, 60Hz, 0.8A.
- Reduce heating demand in winter and cooling demand in summer.
- Whisper-quiet: factory calibrated and balanced.
- Easy installation and maintenance.
- Designed and manufactured in Canada to operate in variable climatic conditions.
- Door and housing in corrosion-resistant galvanized steel,
24-gauge, pre-painted neutral white.
- Convenient, screwless hinged door.
- Ultra-thin: 9 in. (229 mm).
- No drain required.
- Lightweight for ease of installation: 37 lb (16.8 kg).
- Port size: 5 in. (127 mm).
- MERV 8 charcoal polyester filters.
- Two configurations to optimize your space: Side Port or Top Port models.
- Reverse air flow configuration available as a factory installed option (-R).
For further explanation, please refer to the document Normal and Reverse.
- Foam for ceiling installation for Top Port models only, available as a factory
installed option (-F).
- Backdraft damper required on fresh air inlet (not supplied).
- Energy-efficient, sealed European motor with closed housing and automatic reset
thermal protection.
- Balancing without flow keys. 100% electronic adjustment. Pressure ports integrated
into the door for precise, easy balancing.

Energy recovery core

- High-efficiency 100% polymer core, extremely durable.
- Recovers both latent and sensible energy. (Heat and Humidity).
- Meets or exceeds ASHRAE 90.1-2010.
- Washable in soapy water to recover its full effectiveness without deterioration or contamination.
- Antimicrobial protection - ISO846.
- Avoid virus transfer - ASTM F-1671 tested.
- Zero crossflow contamination - Certified according to AHRI 1060.
- UL94 HB Flammability tested.

Control/timer*

- 2 control choices available:
 - Optional Decora-style wall-mounted control/timer (SA-LT15).
INTERMITENT (20-40) – CONTINUOUS – OFF – Timer (20-40-60 minutes).
 - Optional digital Decora-style wall-mounted control/timer (SA-LCD15).
INTERMITENT (20-40) – CONTINUOUS – Humidity – Recirculation – OFF.

Installation

- Can be ceiling-mounted or suspended.
- Easily installed in the ceiling void or just below the fire-rated ceiling.
- Set of nylon suspension straps included for installation.
 - Steel mounting plate for Foam Top Port models only, available as an option (SA-P5R).

Setting

- Furnace interconnect plug connector factory installed.
- Balance the unit using the supplied instruction named: Balancing.
- All the installer needs are the required flow rates, a manometer, and 5 minutes to adjust and balance the system.
- Simply specify the air flow rates for LOW SPEED and HIGH SPEED.
- The static pressure of the system should ideally be less than or equal to the static pressure indicated by the graph for HIGH SPEED.
- You don't have to worry about static pressure to limit air flow or adding flow keys as other devices. All you must do is provide ducting that doesn't limit maximum flow, and the unit's adjustments will allow you to fine-tune flow rates.

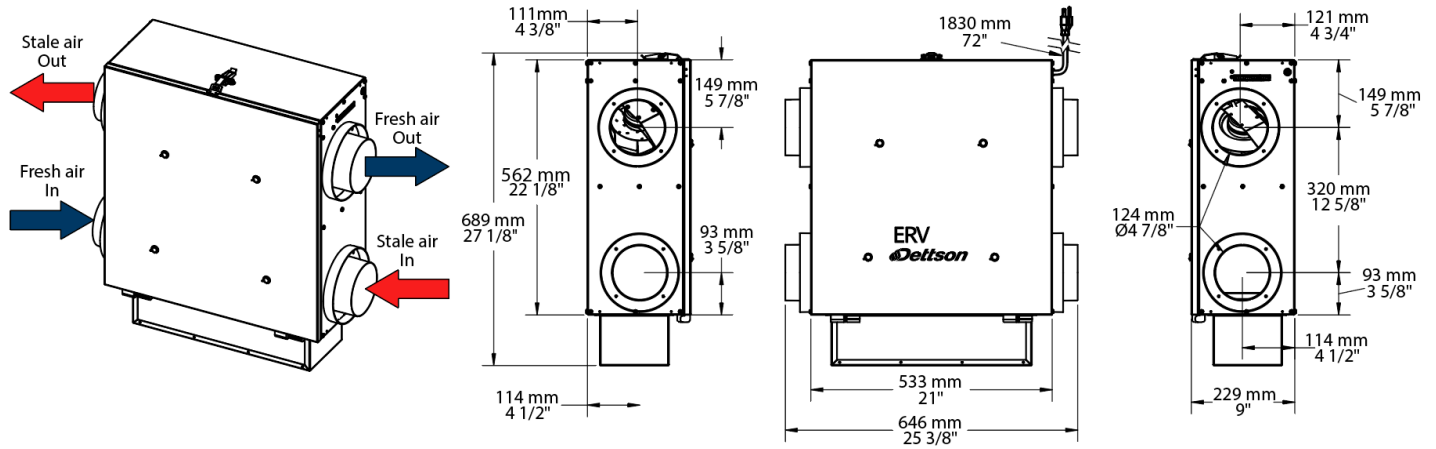
Warranty Application

- **Motor 5-year. Other parts except filters and pre-filters 1-year.**
- The ideal solution for high-rise apartments and small to medium-size homes.
- Purifies the air by expelling many pollutants, dust, and allergens to the outside, while ensuring an equivalent supply of fresh air in the home.

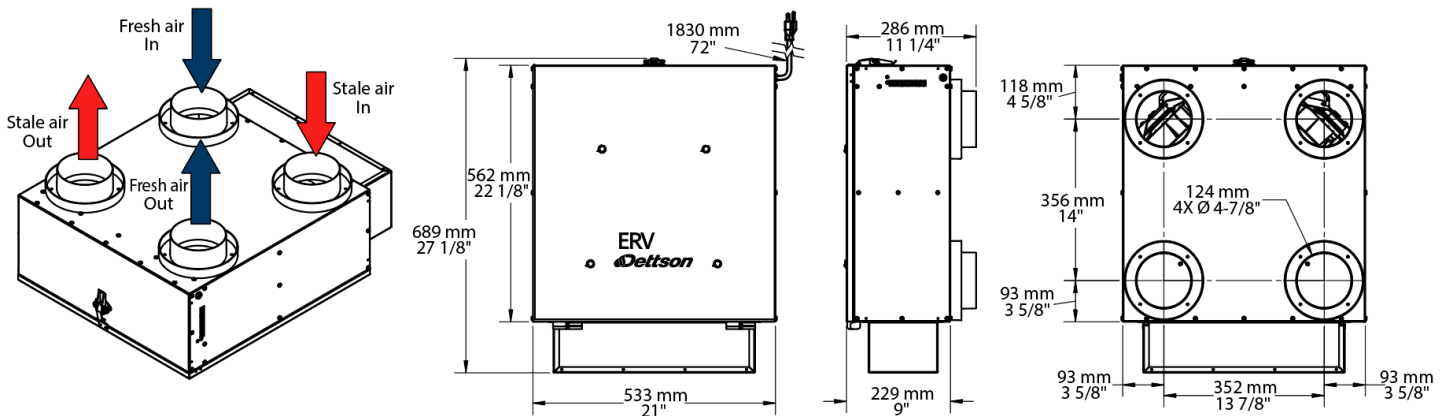
*Important note:

- No controls are included with the purchase of an air exchanger. SA-LT15 and SA-LCD15 controls must be purchased separately.

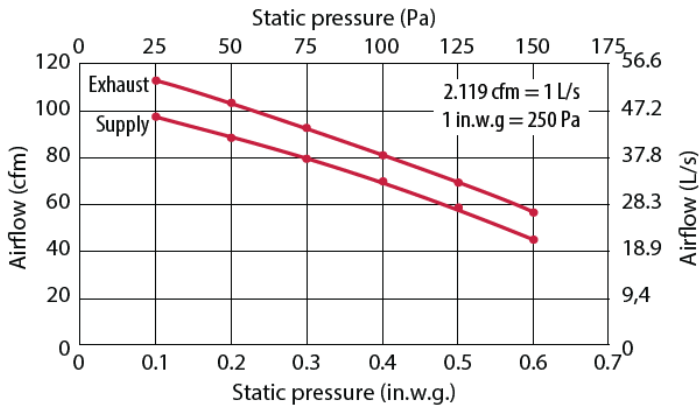
Side Port Model DNSAME115RS



Top Port Model DNSAME115RT



ERV DNSAME115R - Curves at highest speed



Energy ratings - HVI certified

Supply temperature		Air flow		Power W	Sensible recovery (SRE) ¹ %	Adjusted Sensible Recovery %	Latent recovery / moisture transfer %
°C	°F	cfm	L/s				
Heating							
0	32	47	22	34	70	75	61
0	32	64	30	40	67	71	54
0	32	85	40	54	63	68	49
-25	-13	51	24	41	60	63	50
Cooling							
35	95	47	22	34	Total recovery efficiency 53	Adjusted total recovery efficiency 56	51

Models

Product #	cfm	Recirculation	SRE ¹		Port in. mm	Volts	Hertz	Amp.	Weight		
			0 °C (32 °F) 30 L/s	-25 °C (-13 °F) 24 L/s					lb	kg	
ERV Energy recovery air exchanger 113 cfm (Side Port) with recirculation											
DNSAME115RS	113	Yes	67%	60%	5 127	120	60	0.8	37	16.8	
ERV Energy recovery air exchanger 113 cfm (Top Port) with recirculation											
DNSAME115RT	113	Yes	67%	60%	5 127	120	60	0.8	37	16.8	
DNSAME115RT-F	113	Yes	67%	60%	5 127	120	60	0.8	37	16.8	

¹ SRE: Sensible Recovery Effectiveness.

Options

Product # Kit	Product # Factory installed	Description	Qty
-	F	Foam for ceiling installation for Top Port models only	
-	R	Reverse air flow	
SA-P5R	-	Steel mounting plate for Top Port model only with foam (F)	
KIT-SA-FI-115	-	Kit of 2 filters for 115R air exchanger	

Controls

Product #	Description	Qty
SA-LCD15²	Digital Decora-style wall-mounted control/timer for residential air exchangers	
SA-LT15²	Decora wall-mounted control/timer for residential air exchangers	

² Must be purchased separately.

Others

Type	Quantity	Model and description Complementary informations	Volts	Phase	Watts	Length mm/in.	Informations Color/installation

Specifications may change without prior notice

Project:	Approval Information
Consultant Engineer:	
Electrical Contractor:	
Distributor:	
Date:	
Contact at manufacturer:	



Approval Drawings

Comments: