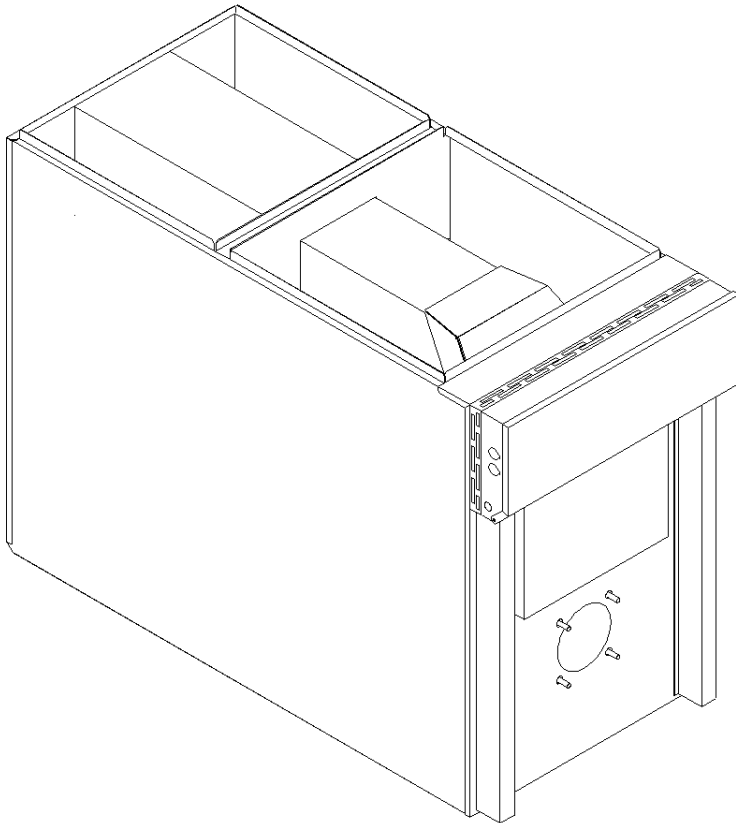


# INSTALLATION INSTRUCTIONS AND HOMEOWNER'S MANUAL

# INNOVAIR

## SOLUTIONS



DNS-1161 Rev.A

### **AMT SERIES**

## LOW-BOY MULTIPosition OIL-FIRED FURNACE

Models :

**AMT098SD**

**AMT098SV**



Use of the AHRI Certified TM Mark indicates a manufacturer's participation in the program. For verification of certification for individual products, go to [www.ahridirectory.org](http://www.ahridirectory.org).

**Attention :**

**Do not tamper with the unit or its controls.  
Call a qualified service technician.**

Manufactured by: **Dettson Industries Inc**  
for **Innovair Solutions**

Sherbrooke, Qc, Canada

[www.dettson.com](http://www.dettson.com)

**INSTALLER / SERVICE TECHNICIAN :**

**USE THE INFORMATION IN THIS MANUAL FOR THE  
INSTALLATION AND SERVICING OF THE FURNACE AND  
KEEP THE DOCUMENT NEAR THE UNIT FOR FUTURE  
REFERENCE.**

**HOMEOWNER:**

**PLEASE KEEP THIS MANUAL NEAR THE FURNACE FOR  
FUTURE REFERENCE.**

# Table of content

<b>1</b>	<b>SAFETY REGULATIONS.....</b>	<b>3</b>
1.1	SAFETY LABELING AND WARNING SIGNS	3
1.2	IMPORTANT INFORMATION .....	3
1.3	DETECTION SYSTEMS.....	3
1.4	DANGER OF FREEZING .....	3
<b>2</b>	<b>INSTALLATION .....</b>	<b>4</b>
2.1	POSITIONING THE FURNACE.....	4
2.1.1	Installation in an enclosure .....	4
2.2	ELECTRICAL SYSTEM .....	4
2.3	INSTALLATION OF THE THERMOSTAT	4
2.4	INSTALLATION OF THE BURNER.....	5
2.4.1	Nozzles.....	5
2.4.2	Air and Turbulator Settings.....	5
2.4.3	Post purge delay adjustment.....	5
2.5	VENTING .....	5
2.5.1	Masonry chimney.....	5
2.5.2	Factory Built Chimneys.....	6
2.5.3	Draft Regulator .....	6
2.5.4	Side-Wall Venting.....	6
2.6	BLOCKED VENT SHUT-OFF DEVICE (BVSO) FOR CHIMNEY VENTING .....	6
2.6.1	BVSO Performance Test.....	6
2.7	COMBUSTION AIR SUPPLY AND VENTILATION .....	6
2.7.1	Contaminated Combustion Air .....	6
2.7.2	Burner with Outdoor Combustion Air Kit	6
2.8	OIL TANK .....	6
2.9	DUCTING .....	7
2.9.1	Air filter .....	7
2.10	SUPPLY AIR ADJUSTEMENTS (4 SPEED MOTORS).....	7
2.11	SUPPLY AIR ADJUSTEMENTS (ECM VARIABLE SPEED MOTORS) .....	7
2.12	INSTALLATION OF ACCESSORIES .....	8
2.12.1	Humidifier (HUM).....	8
2.12.2	Electronic Air Cleaner (EAC) .....	8
2.12.3	Air Conditioner (or Heat Pump).....	8
<b>3</b>	<b>OPERATION.....</b>	<b>8</b>
3.1	START-UP .....	8
3.2	OPERATING SEQUENCE OIL HEATING MODE	8
3.3	CHECKS AND ADJUSTMENTS.....	8
3.3.1	Purging the oil line.....	8
3.3.2	Pressure adjustment .....	8
3.3.3	Combustion Check.....	9
3.3.4	Draft Regulator adjustment.....	9
3.3.5	Overfire pressure test .....	9
3.3.6	Vent Temperature Test .....	9
3.3.7	Supply air Temperature Rise Test.....	9
3.3.8	Limit Control Check .....	9

3.3.9	Restart after burner failure .....	9
3.4	EMERGENCY HEATING MODE - VARIABLE SPEED MOTOR (ECM) .....	9
<b>4</b>	<b>MAINTENANCE .....</b>	<b>10</b>
4.1	CLEANING THE HEAT EXCHANGER .	10
4.2	CLEANING THE BLOCKED VENT SHUT-OFF DEVICE (BVSO) .....	10
4.3	CLEANING OF THE BURNER HEAD ...	10
4.4	REPLACING THE NOZZLE.....	10
4.5	REPLACING THE OIL FILTER .....	10
4.6	REPLACING THE AIR FILTER .....	10
<b>5</b>	<b>FURNACE INFORMATION.....</b>	<b>11</b>
<b>6</b>	<b>DIMENSIONS AND RATINGS .....</b>	<b>12</b>
<b>7</b>	<b>COMPONENTS AND PARTS LIST .....</b>	<b>17</b>

## Tables

TABLE 1:	BLOWER SPEED ADJUSTMENTS (HEATING MODE, 4 SPEED MOTOR) .....	7
TABLE 2:	BLOWER SPEED ADJUSTMENTS (A/C MODE, 4 SPEED MOTOR).....	7
TABLE 3:	HEATING MODE .....	7
TABLE 4:	AIR CONDITIONING MODE.....	7
TABLE 5:	CFM ADJUSTMENT - ALL MODES .....	7
TABLE 6:	DELAY ADJUSTMENTS - HEATING MODE.....	7
TABLE 7:	TECHNICAL SPECIFICATIONS .....	12
TABLE 8:	AIRFLOW DATA, MODELS WITH 1/3 HP PSC MOTORS	13
TABLE 9:	AIRFLOW DATA, MODELS WITH 1/2 HP ECM MOTORS	13
TABLE 10:	MINIMUM CLEARANCES FROM COMBUSTIBLE MATERIAL	14
TABLE 11:	PART LIST – WITH 4 SPEED MOTOR PSC.....	18
TABLE 12:	PARTS LIST - WITH VARIABLE SPEED MOTOR ECM	20

## Figures

FIGURE 1:	LOCATION AND DIMENSIONS OF VENTILATION AIR OPENINGS IN A CLOSET DOOR.....	4
FIGURE 2:	THERMOSTAT WIRING-HEATING & AIR CONDITIONING - With 4 SPEED MOTOR .....	5
FIGURE 3:	THERMOSTAT WIRING- HEATING & AIR CONDITIONING - With ECM VARIABLE SPEED MOTOR	5
FIGURE 4:	THERMOSTAT WIRING-HEATING & AIR CONDITIONING/HEAT PUMP - WITH ECM VARIABLE SPEED MOTOR .....	5
FIGURE 5:	BLOWER START / STOP DELAYS – PSC MOTOR	7
FIGURE 6:	FURNACE DIMENSIONS .....	14
FIGURE 7:	WIRING DIAGRAM - 4 SPEED MOTOR (PSC)15	
FIGURE 8:	WIRING DIAGRAM - VARIABLE SPEED MOTOR (ECM)	16
FIGURE 9:	PARTS LIST - WITH 4 SPEED MOTOR PSC....	17
FIGURE 10:	PARTS LIST - WITH VARIABLE SPEED MOTOR ECM	19

# 1 SAFETY REGULATIONS

## 1.1 SAFETY LABELING AND WARNING SIGNS

The words DANGER, WARNING AND CAUTION are used to identify the levels of seriousness of certain hazards. It is important that you understand their meaning. You will notice these words in the manual as follows:

 <b>DANGER</b>
Immediate hazards that <b>WILL</b> result in death, serious bodily injury and/or property damage.


 <b>WARNING</b>
Hazards or unsafe practices that <b>CAN</b> result in death, bodily injury and/or property damage.

<b>CAUTION</b>
Hazards or unsafe practices that <b>CAN</b> result in bodily injury and/or property damage.


## 1.2 IMPORTANT INFORMATION

 <b>WARNING</b>
Non-observance of the safety regulations outlined in this manual will potentially lead to consequences resulting in death, serious bodily injury and/or property damage.

- a) It is the homeowner's responsibility to engage a qualified technician for the installation and subsequent servicing of this furnace.
- b) Do not use this furnace if any part of it was under water. Call a qualified service technician immediately to assess the damage and to replace all critical parts that were in contact with water.
- c) Do not store gasoline or any other flammable substances, such as paper, carton, etc. near the furnace.
- d) This furnace is designed for use with #1 or #2 heating oil only. The use of gasoline, motor oil or any other oil containing gasoline is prohibited.
- e) Never block or otherwise obstruct the filter and/or return air openings.
- f) Ask the technician installing your furnace to show and explain to you the following items:
  - i) The main disconnect switch.
  - ii) The shut-off valve on the oil tank.
  - iii) The oil filter and how to change it (once a year).
  - iv) The air filter and how to change it (check monthly and clean or replace if necessary.)
- g) Before calling for service, be sure to have the information page, section 5 of your manual close by to provide the contractor with the required information, such as the model and serial numbers of the furnace.

 <b>WARNING</b>
Installations and repairs performed by unqualified persons can result in hazards to them and to others. Installations must conform to local codes or, in the absence of same, to codes of the country having jurisdiction. The information contained in this manual is intended for use by a qualified technician, familiar with safety procedures and who is equipped with the proper tools and test instruments. Failure to carefully read and follow all instructions in this manual can result in death, bodily injury and/or property damage.

## 1.3 DETECTION SYSTEMS

 <b>WARNING</b>
<b>CARBON MONOXIDE POISONING HAZARD</b> Failure to follow this warning could result in personal injury and/or death. Carbon Monoxide (CO) is a colorless, odorless, and tasteless poisonous gas that can be fatal when inhaled. Follow all installation, maintenance, and service instructions. See additional information below regarding the installation of a CO alarm.

Most states in the USA and jurisdictions in Canada have laws that require the use of Carbon Monoxide (CO) Alarms with fuel burning products. Examples of fuel burning products are furnaces, boilers, space heaters, generators, water heaters, stoves/ranges, clothes dryers, fireplaces, incinerators, automobiles, and other internal combustion engines. Even if there are no laws in your jurisdiction requiring a CO alarm, it's highly recommended that whenever any fuel burning product is used in or around the home or business that the dwelling be equipped with a CO Alarm(s). The Consumer Product Safety Commission recommends the use of CO Alarm(s). The CO Alarm(s) must be installed, operated and maintained according to the CO Alarm manufacturer's instructions. For more information about Carbon Monoxide, local laws, or to purchase a CO Alarm online, please visit the following website: <https://kidde.com>.

There are several sources of possible smoke and flames in a residence. Smoke and flames can cause bodily harm or death. For this reason, agency approved smoke detectors should be installed in your residence and properly maintained, to warn early on, of a potentially dangerous fire. Also, the house should be equipped with approved and properly maintained fire extinguishers.

Your unit is equipped with safety devices that can prevent it from functioning when anomalies are detected such as a blocked venting system.

## 1.4 DANGER OF FREEZING

<b>CAUTION</b>
If your furnace is shut down during the cold weather season, water pipes may freeze, burst and cause serious water damage. Turn off the water supply and bleed the pipes.

If the heater is left unattended during the cold weather season, take the following precautions:

- a. Close the main water valve in the house and purge the pipes if possible. Open all the faucets in the house.
- b. Ask someone to frequently check the house during the cold weather season to make sure that there is sufficient heat to prevent the pipes from freezing. Tell this person to call an emergency number if required.

## 2 INSTALLATION

The unit is shipped with a burner and its controls. It requires a 115VAC power supply to the control panel and thermostat hook-up as shown on the wiring diagram, one or more oil line connections, suitable ductwork and connection to a properly sized vent.

All local and national code requirements governing the installation of oil burning equipment, wiring and the flue connection **MUST** be followed. Some of the codes that may apply are:

- CSA B139:** Installation code for oil burning equipment.
  - ANSI/NFPA 31:** Installation of oil burning equipment.
  - ANSI/NFPA 90B:** Warm air heating and air conditioning systems.
  - ANSI/NFPA 211:** Chimneys, Fireplaces, Vents and solid fuel burning appliances.
  - ANSI/NFPA 70:** National Electrical Code.
  - CSA C22.1 or**
  - CSA C22.10:** Canadian Electrical Code.
- Only the latest issues of these codes may be used.**

### 2.1 POSITIONING THE FURNACE



#### WARNING

##### Fire and explosion hazard.

The furnace must be installed in a level position, never where it will slope toward the front.  
Do not store or use gasoline or any other flammable substances near the furnace.  
Non-observance of these instructions will potentially result in death, bodily injury and/or property damage.

#### CAUTION

This furnace is not watertight and is not designed for outdoor installation. It must be installed in such a manner as to protect its electrical components from water. Outdoor installation will lead to a hazardous electrical condition and to premature failure of the equipment.

**The minimum clearances from combustible material for each of the positions are specified in Table 10.**

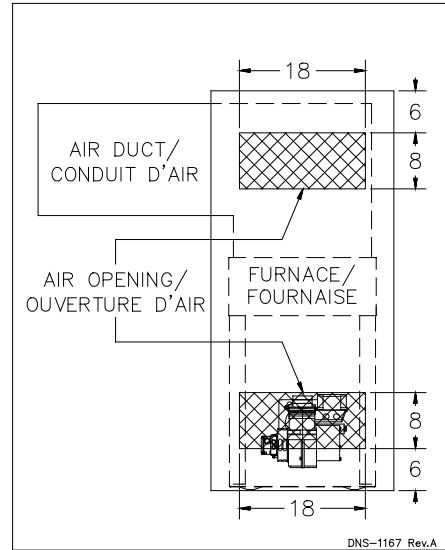
If the furnace is installed in a basement or on a dirt floor, in a crawl space for example, it is recommended to install the unit on a cement base 2.5 cm to 5.0 cm (1" to 2") thick.

The unit must be installed in an area where the ambient and return air temperatures are above 15°C (60°F). In addition, the furnace should be installed as closely as possible to the vent, so that the connections are direct and kept to a minimum. The heater should also be located close to the centre of the air distribution system.

#### 2.1.1 Installation in an enclosure

The unit can be installed in an enclosure such as a closet. However, 2 ventilation openings are required for combustion air. The openings should be located in front of the furnace approximately 15 cm (6") above the floor and 15 cm (6") below the ceiling. Figure 1 indicates the minimum dimensions required and the location of the openings.

**Figure 1: Location and dimensions of ventilation air openings in a closet door**



### 2.2 ELECTRICAL SYSTEM

#### CAUTION

The exterior of the unit must have an uninterrupted ground to minimize the risk of bodily harm, if ever an electrical problem develops. A green ground screw is supplied with the control box for that purpose.

The appliance must be installed in accordance with the current ANSI/NFPA 70 National Electrical Code, CSA C22.1 Canadian Electrical Code Part 1 and/or local codes.

The control system depends on the correct polarity of the power supply. Connect "HOT" wire (H) and "NEUTRAL" wire (N) as shown in Figure 7 and Figure 8.

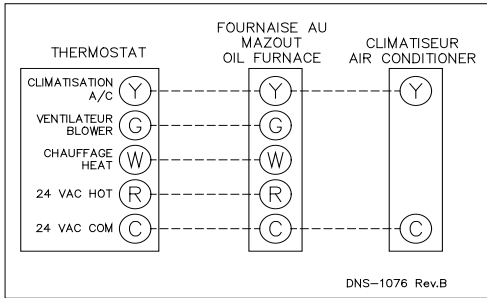
A separate line voltage supply should be used, with fused disconnect switch or circuit breaker, between the main power panel and the unit.

Only copper wire may be used for the 115V circuit on this unit. If wires need to be changed, the replacements must have the same temperature resistance as the originals.

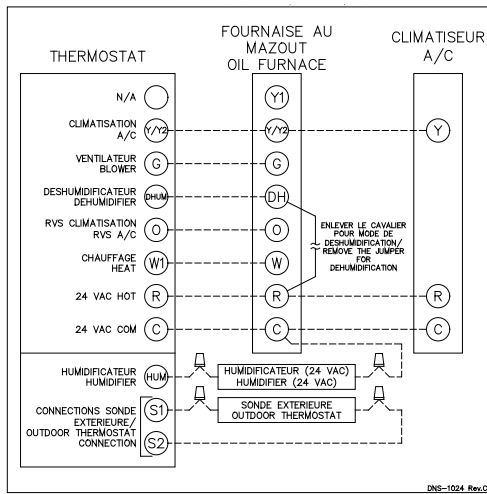
### 2.3 INSTALLATION OF THE THERMOSTAT

A thermostat must be installed to control the temperature of the area to be heated. Follow the instructions supplied with the thermostat. Also refer to the wiring diagrams provided with the heating/air conditioning unit. The connections must be made as indicated on the following diagrams and the wiring diagrams.

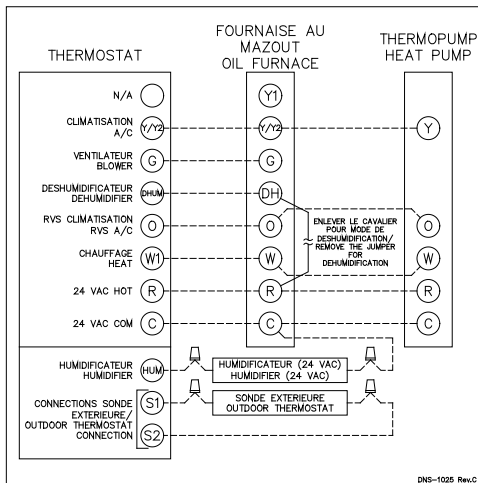
**Figure 2: Thermostat Wiring-Heating & Air Conditioning - With 4 Speed Motor**



**Figure 3: Thermostat Wiring- Heating & Air Conditioning - With ECM Variable Speed Motor**



**Figure 4: Thermostat Wiring-Heating &Air Conditioning/Heat Pump - With ECM Variable Speed Motor**



**Note:** On units with 2 stage cooling or heat pump, terminal Y1 must be used. When Y1 on the electronic control receive a 24VAC signal, the air flow is reduced by 20%. Do not use terminal Y1 with a single stage cooling or heat pump.

**2.4 INSTALLATION OF THE BURNER**

Also refer to the burner manufacturer’s instructions.

1. Position the gasket between the mounting flange and the burner mounting plate. Align the holes in the burner mounting plate with the studs on the mounting flange and bolt securely in place.
2. Remove the burner drawer assembly or the air tube assembly.
3. Install the nozzle (refer to Table 7).
4. Check the electrode settings.
5. Make the electrical connections.
6. Complete oil line connections.

**2.4.1 Nozzles**

The burner comes equipped with an appropriate nozzle. However, if another size or a replacement nozzle is required, use the manufacturer’s recommended spray angle and type as shown in Table 7 and based on a pump pressure of 100 psi.

Always select nozzle sizes by working back from the desired flow rate at operating pressure and not the nozzle marking.

**2.4.2 Air and Turbulator Settings**

Before starting the burner for the first time, adjust the air and turbulator settings to those listed in this manual, Table 7. Once the burner becomes operational, final adjustments will be required. Refer to Table 7 of this manual.

**2.4.3 Post purge delay adjustment**

The post purge delay on the oil-fired burners is factory set to zero second. This delay is applicable for all installations with chimney venting. For heating units installed with side wall venting and a burner equipped with this feature, the post purge delay must be set to 15 seconds. No delay is required for Riello burners. Refer to the burner control instruction manual and markings for proper adjustment of the post purge delay.

**2.5 VENTING**

**WARNING**

**Poisonous carbon monoxide gas, fire and explosion hazard.**

Read and follow all instructions in this section. Failure to properly vent this furnace can result in in death, bodily injury and/or property damage.

**WARNING**

**Poisonous carbon monoxide gas hazard.**

Never install a hand operated damper in the vent pipe. However, any Underwriters Laboratories listed, electrically operated automatic type vent damper may be installed if desired. Be sure to follow the instructions provided with vent damper. Also, read and follow all instructions in this section of the manual. Failure to properly vent this furnace or other appliances can result in death, bodily injury and/or property damage.

To ensure the safe and proper functioning of an oil furnace, it must always be connected to a flue with sufficient draft or to an approved side-wall venting system. In addition, it is strongly recommended to perform a complete inspection of all the existing venting systems.

**2.5.1 Masonry chimney**

This furnace can be vented into an existing masonry chimney. However, the unit must not be vented into a chimney into which a solid fuel burning furnace is already being vented.

Before venting this furnace into a chimney, its condition must be checked and repairs made, if necessary. Also, the chimney lining and dimensions must conform to local and national codes.

### 2.5.2 Factory Built Chimneys

Oil fired furnaces are approved for use with "L" type vents. The unit may also be used with an approved chimney of proper dimensions and temperature ratings as specified in the installation code. Refer to chimney manufacturer's instructions for proper installation.

### 2.5.3 Draft Regulator

It is recommended that a draft regulator be installed in cases where the draft is either high or variable due to external conditions. Follow the instructions provided with the regulator.

### 2.5.4 Side-Wall Venting

The heating unit is approved for side-wall venting. This system is comprised of a model VTK-54 / VTK-098 / KLAVT0101DET side-wall venter and a 4" insulated vent pipe, model IFV-420 / IFV098-20 / KLAJV0201DET. Refer to the installation instructions provided with the venting system.

## 2.6 BLOCKED VENT SHUT-OFF DEVICE (BVSO) FOR CHIMNEY VENTING

### CAUTION

It is imperative that this device be installed by a qualified service technician.

A positive pressure venting system (Sealed Combustion System or Direct Vent) **MUST NOT** use the BVSO. Follow the instructions supplied with the venting system.

This device is designed to detect the insufficient evacuation of combustion gases in the event of a vent blockage. In such a case the thermal switch will shut down the oil burner. The device will then need to be re-armed MANUALLY.

Refer to the detailed instructions and wiring diagrams supplied with the BVSO for the installation and wiring procedures. The length of wires supplied with the unit is such that the safety device must be installed between the flue outlet of the appliance and the draft regulator, as indicated in the instructions.

It is also essential that the BVSO be maintained annually. For more details refer to the instructions supplied with the device itself, as well as section 4.2 of this manual.

### 2.6.1 BVSO Performance Test

The purpose of the following test is to check that the electrical outlet on the furnace, designated to the BVSO, is functional.

1. Start up the burner.
2. Remove the three-pole plug from the BVSO outlet on the furnace.
3. The burner must shut-off immediately, while the blower continues to run to the end of the cool-down cycle.

If the test is not in line with the above, call a QUALIFIED SERVICE TECHNICIAN.

## 2.7 COMBUSTION AIR SUPPLY AND VENTILATION



### WARNING

#### Poisonous carbon monoxide gas hazard.

Comply with NFPA 31 (U.S.) and CSA B139 (Canada) standards for the installation of Oil Burning Equipment and applicable provisions of local building codes to provide combustion and ventilation air.

Failure to provide adequate combustion and ventilation air can result in death, bodily injury and/or property damage.

Oil furnaces must have an adequate supply of combustion air. It is common practice to assume that older homes have sufficient infiltration to accommodate the combustion air requirement for the furnace. However, home improvements such as new windows, doors, and weather stripping have drastically reduced the volume of air infiltration into the home.

Refer to oil furnace installation codes relative to combustion and ventilation air requirements. Consult Section 2.1.1 in this manual, specifically for units installed in an enclosed space.

Home air exhausters are common. Bathroom and kitchen fans, power vented clothes dryers and water heaters all tend to create a negative pressure condition in the home. Should this occur the chimney becomes less and less effective and can easily downdraft. In certain cases, mechanically supplied air, by way of a blower, interlocked with the unit, is necessary. It is the installer's responsibility to check that.

### 2.7.1 Contaminated Combustion Air

Installations in certain areas or types of structures will increase the exposure to chemicals or halogens that may harm the furnace. These conditions will require that only outside air be used for combustion.

The following areas or types of structures may contain or be exposed to certain substances, potentially requiring outside air for combustion:

- a. Commercial buildings.
- b. Buildings with indoor pools.
- c. Furnaces installed near chemical storage areas.

#### Exposure to the following substances:

- a. Permanent wave chemicals for hair.
- b. Chlorinated waxes and cleaners.
- c. Chlorine based swimming pool chemicals.
- d. Water softening chemicals.
- e. De-icing salts or chemicals.
- f. Carbon tetrachloride.
- g. Halogen type refrigerants.
- h. Cleaning solvents (such as perchloroethylene).
- i. Printing inks, paint removers, varnishes, etc.
- j. Hydrochloric acid.
- k. Solvent based glue.
- l. Antistatic fabric softeners for clothes dryers.
- m. Acid based masonry cleaning materials.

### 2.7.2 Burner with Outdoor Combustion Air Kit

Certain burners are designed to function with combustion air taken directly from the outside. Follow the instructions provided with the burner, the fresh-air supply kit or the side-wall venting kit.

## 2.8 OIL TANK



### WARNING

#### Fire and explosion hazard.

Use only approved heating type oil in this furnace. DO NOT USE waste oil, used motor oil, gasoline or kerosene.

Use of these will result in death, bodily injury and/or property damage.

### CAUTION

When a 0.75 USGPH or smaller nozzle is used, a 10 micron or finer filter, must be installed on the oil supply line to the furnace inside the building where the unit is located.

This is a requirement for the heat exchanger warranty to remain in force.

Check your local codes for the installation of the oil tank and accessories.

At the beginning of each heating season or once a year, check the complete oil distribution system for leaks.

Ensure that the tank is full of clean oil. Use No.1 or No.2 Heating Oil (ASTM D396 U.S.) or in Canada, use No.1 or No.2 Furnace Oil.

A manual shut-off valve and an oil filter shall be installed in sequence from tank to burner. Be sure that the oil line is clean before connecting to the burner. The oil line should be protected to eliminate any possible damage. Installations where the oil tank is below the burner level must employ a two-pipe fuel supply system with an appropriate fuel pump. A rise of 2.4 m (8') and more requires a two-stage pump and a rise greater than 4.9 m (16') an auxiliary pump. Follow the pump instructions to determine the size of pipe needed in relation to the rise or to the horizontal distance.

## 2.9 DUCTING



### WARNING

**Poisonous carbon monoxide gas hazard.**

DO NOT draw return air from inside a closet or utility room. Return air MUST be sealed to the furnace casing.

Failure to properly seal ducts can result in death, bodily injury and/or property damage.

The ducting must be designed and installed according to approved methods, local and national codes as well as good trade practices. When ducting supplies air to a space other than where the furnace is located, the return air must be sealed and be directed to the space other than where the furnace is located.

### 2.9.1 Air filter

A properly sized air filter must be installed on the return air side of the unit. Refer to the Technical Specifications, Table 7, for the correct dimensions. Also refer to section 4.6 of this manual.

## 2.10 SUPPLY AIR ADJUSTEMENTS (4 SPEED MOTORS)

On units equipped with 4-speed blower motors, the supply air must be adjusted based on heating/air conditioning output and the static pressure of the duct system. For the desired air flow refer to the following table as well as the air flow Table 8 based on static pressure.

**Table 1: Blower speed adjustments (heating mode, 4 speed motor)**

HEATING CAPACITY (USGPH)	STATIC PRESSURE (W.C.)	RECOMMENDED BLOWER SPEED
0.55	0.25"	MED-LOW
0.55	0.50"	MED-LOW
0.70	0.25"	MED-HIGH
0.70	0.50"	HIGH

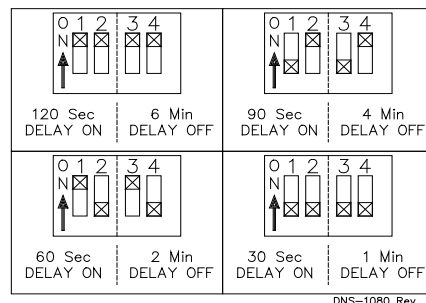
**Table 2: Blower speed adjustments (A/C mode, 4 speed motor)**

A/C CAPACITY (TONS)	RECOMMENDED BLOWER SPEED
2.0	MED-LOW
2.5	MED-HIGH
3.0	HIGH

To perform the adjustment, the RED (for heating) and BLUE (for cooling and heat pump) wires can be changed on the motor. Also, refer to the position of the wires on the electronic board of the unit and consult the wiring diagrams. If the heating and air conditioning speeds are the same, the RED wire must be moved to "UNUSED LEADS" on

the electronic board and the jumper provided with the BLUE wire must be used between the "HEAT" and "COOL" terminals. The blower start/stop delays can be adjusted by positioning the DIP switches on the electronic board as shown in the following figures. However, the recommended adjustments are 60 seconds blower ON delay and 2 minutes blower OFF delay.

**Figure 5: Blower start / stop delays – PSC motor**



## 2.11 SUPPLY AIR ADJUSTEMENTS (ECM VARIABLE SPEED MOTORS)

On units equipped with ECM variable speed blower motors, the air supply must be adjusted based on heating/air conditioning output. The start/stop delays of the blower must also be adjusted by positioning the DIP switches on the electronic board. Refer to the following tables, Table 9 and the wiring diagram, Figure 8, in this manual for the proper settings:

**Table 3: Heating Mode**

SW1 – HEAT DIP Switch Positions			Input USGPH
1	2	POSITION	
OFF	OFF	A	0.70
ON	OFF	B	0.55
OFF	ON	C*	0.55
ON	ON	D	ALL

**Table 4: Air Conditioning Mode**

SW2 – COOL DIP Switch Positions			Output Tons
1	2	POSITION	
OFF	OFF	A	3.0
ON	OFF	B	2.5
OFF	ON	C	2.0
ON	ON	D	1.5

**Table 5: CFM adjustment - All Modes**

SW3 – ADJ (Adjustment) DIP Switch Positions			% increase or decrease	CFM HTG.	CFM A/C
1	2	POSITION			
OFF	OFF	A	0%	0%	
ON	OFF	B	+10%	+10%	
OFF	ON	C	-10%	-10%	
ON	ON	D	N/A	0%	

**Table 6: Delay adjustments - Heating Mode**

SW4 – DELAY DIP Switch Positions			Input USGPH
1	2	POSITION	
OFF	OFF	A	0.70
ON	OFF	B	0.55
OFF	ON	C*	0.55
ON	ON	D	ALL

## 2.12 INSTALLATION OF ACCESSORIES



### WARNING

#### Electrical shock hazard.

Turn OFF electrical power at the fuse box or service panel before making any electrical connections and ensure a proper ground connection is made before connecting line voltage.

Failure to do so can result in death or bodily injury.

#### 2.12.1 Humidifier (HUM)

The 120 VAC HUM terminal on the electronic board of the blower supplies 120 VAC electric power when the burner is in operation.

A 24 VAC signal can also be supplied from the W and C terminals on the blower electronic board to activate a switching relay.

Also refer to the instructions supplied with the accessory.

#### 2.12.2 Electronic Air Cleaner (EAC)

The EAC terminal on the electronic board supplies 120 VAC when the blower is operating in the heating or air conditioning mode. This signal can be used to activate an electronic air cleaner that is not equipped with an air flow switch. If the cleaner is equipped with an air flow switch, the S terminal on the electronic board can be used to provide a constant supply of 120 VAC.

Also refer to the instructions supplied with the accessory.

#### 2.12.3 Air Conditioner (or Heat Pump)

An air conditioning coil must be installed on the supply air side ONLY.



### WARNING

#### Poisonous carbon monoxide gas hazard.

Install the evaporator coil on the supply side of the furnace ducting ONLY.

An evaporator coil installed on the return air side of the ducting can cause condensation to form inside the heat exchanger, resulting in heat exchanger failure. This in turn, can result in death, bodily injury and/or property damage.

A clearance of 15 cm (6") is required between the bottom of the coil drain pan and the top of the heat exchanger. If a heat pump is installed, a single thermostat able to control both, the furnace and heat pump is recommended to prevent simultaneous operation. It also prevents a direct transition from heating by way of the heat pump to heating with oil. Refer to the thermostat instructions or those of another control used for the proper wiring.

If a coil blower compartment is used, install airtight, motorized and automatic air dampers. Cold air coming from the coil and passing across the furnace can cause condensation and shorten the life of the heat exchanger.

## 3 OPERATION

### 3.1 START-UP

Before starting up the unit, be sure to check that the following items comply:

1. The electrical installation, the oil supply system, the venting system, combustion air supply and ventilation.
2. The blower access door is in place and the blower rail locking screws are well tightened.
3. The Blocked Vent Shut-Off (BVSO) is installed according to instructions (for chimney venting).
4. The oil supply valve is open.
5. The burner "Reset" button is well pushed in or re-armed.
6. **The preliminary air adjustments on the burner** comply with the technical specifications in this manual.
7. The blower speed adjustments for heating and air conditioning are appropriate and according to the specifications in this manual.
8. The blower start/stop delays are satisfactory.
9. The thermostat of the room is in the heating mode and is set higher than the ambient temperature.

To start the unit, turn the main electrical switch "ON".

### 3.2 OPERATING SEQUENCE OIL HEATING MODE

1. The W-R contact closes.
2. The burner motor starts up to pre-purge the combustion chamber for a period of 10 to 15 seconds. During that time a spark is established on the electrodes.
3. The solenoid valve opens, and a flame is established. Shortly after, the electrodes cease to spark.
4. Then the blower runs up to the corresponding heating speed. The delay and the fan speed depend on the settings that were made on the electronic board and or at the fan motor (4 speeds motor). Refer to Sections 2.10 and 2.11, as well as the CFM Table 8 and Table 9 for more details.
5. When the call for heat is satisfied, the solenoid valve closes, the flame goes out and the burner motor stops (after post purge delay, if applicable).
6. The blower stops shortly after the burner. The delay depends on the setting that were made on the electronic board that controls the blower. Refer to Sections 2.10 and 2.11 for more details.

**Note:** A detailed operating sequence of the oil burner is outlined in the instructions provided with the burner.

### 3.3 CHECKS AND ADJUSTMENTS

#### 3.3.1 Purging the oil line

Open the bleed port screw and start the burner. Allow the oil to drain into a container for at least 10 seconds. The oil should flow completely free of white streaks or air bubbles to indicate that no air is being drawn into the suction side of the oil piping and pump. Slowly close and tighten the bleed screw. Once closed, the flame will light up.

#### 3.3.2 Pressure adjustment

The oil pressure must be adjusted according to the Technical Specifications of this manual. An adjustment screw and a connection for a pressure gauge are located on the oil pump for that purpose. Also refer to the burner instruction manual.



### 3.3.3 Combustion Check

#### CAUTION

The heat exchanger metal surfaces may have oil and the insulation in the sound trap assembly also contains binders. These products will burn or evaporate when the unit operates for the first time. Because of that, the smoke reading may be skewed during the first minutes of operation. Therefore, the unit must operate during at least 60 minutes before taking any readings to adjust the combustion quality. Let the unit cool down before making any adjustments.

#### IMPORTANT

The combustion check verification **MUST** be performed after the nozzle replacement or the burner cleaning. After these manipulations, the combustion parameters are necessarily modified. Refer also to the burner instruction manual.

1. Pierce a test hole in the flue pipe, approximately 18 inches from the furnace breach. Insert the smoke test probe into the hole. For installation using a sidewall venting, use the orifice provided on the breach plate.
2. From a cold start, let the unit operate for about 5 minutes.
3. Set the burner air setting until you have between 0 and 1 on the Bacharach Scale (or a "trace");
4. Take a CO<sub>2</sub> sample at the same test location where the "trace" of smoke reading was taken and make note of it. Example: 13.8% of CO<sub>2</sub> or 2.5% of O<sub>2</sub>;
5. Adjust the burner air setting to obtain a CO<sub>2</sub> reading 1.5% lower (or a O<sub>2</sub> reading 2.0% higher) than the reading associated with the "trace" of smoke. Example: 12.3% of CO<sub>2</sub> or 4.5% of O<sub>2</sub>;
6. This method of adjusting the burner will result in clean combustion (Bacharach smoke scale between 0 and a trace) and ensure the proper functioning of the system. The optimum CO<sub>2</sub> level is around 12% to 13% (or 3.5% to 5.0% of O<sub>2</sub>).

### 3.3.4 Draft Regulator adjustment

On chimney installations only, a barometric draft regulator (supplied with the furnace) must be installed, in order to ensure proper draft through the furnace. The barometric damper must be mounted with the hinge pins in a horizontal position and the face of the damper vertical for proper functioning (see instructions included with the damper.) After the furnace has been firing for at least five minutes, the draft regulator should be set to between -0.025" and -0.060" W.C.

### 3.3.5 Overfire pressure test

The overfire draft that is taken through the observation port, located above the burner, is a measurement necessary to determine if there is a blockage in the heat exchanger or the flue pipe. Refer to the Technical Specifications in this manual for overfire pressure values. A high pressure condition may be caused by excessive combustion air, due to the air band being too wide open, or a lack of flue draft (chimney effect) or some other blockage, such as soot in the secondary section of the heat exchanger or the use of an oversize nozzle input or high pressure pump.

### 3.3.6 Vent Temperature Test

1. After having adjusted the burner combustion, insert a thermometer into the test hole in the breach pipe;
2. The total vent temperature should be between 204 and 302°C (400 and 575°F). If not, check for improper air temperature rise, pump pressure, nozzle size or a badly sooted heat exchanger. Also refer to section 2.5 for proper flue pipe sizing.

#### CAUTION

Low flue gas temperature increases the risk of condensation. Adjust the total flue gas temperature at or higher than 204°C (400°F) in order for the heat exchanger warranty to remain in force.

### 3.3.7 Supply air Temperature Rise Test

1. Operate the burner for at least 10 minutes;

2. Measure the air temperature in the return air plenum;
3. Measuring the air temperature in the largest trunk coming off the supply air plenum, just outside the range of radiant heat from the heat exchanger. 0.3 m (12") from the plenum of the main take-off is usually sufficient;
4. The temperature rise is calculated by subtracting the return air temperature from the supply air temperature;
5. If the temperature rise is lower or exceeds the temperature specified in Table 7, change to the next lower or higher blower speed tap, until the temperature rise falls to the target. If the excessive temperature rise cannot be increased or reduced by changing fan speed, investigate for ductwork obstructions, dirty or improper air filter, improper firing caused by improper pump pressure or nozzle sizing.

### 3.3.8 Limit Control Check

After operating the furnace for at least 15 minutes, restrict the return air supply by blocking the filters or the return air register and allow the furnace to shut off on High Limit. The burner will shut off but the blower will continue to run.

Remove the obstruction and the burner should restart after a few minutes. The time required for the restart also depends on the adjustment of the blower "OFF" delay.

### 3.3.9 Restart after burner failure

1. Set the thermostat lower than room temperature.
2. Press the reset button on the burner primary control (relay)
3. Set the thermostat higher than room temperature.
4. If the burner motor does not start or ignition fails, turn off the disconnect switch and CALL A QUALIFIED SERVICE TECHNICIAN.

#### CAUTION

Do not attempt to start the burner when excess oil has accumulated, when the furnace is full of vapour or when the combustion chamber is hot.

### 3.4 EMERGENCY HEATING MODE - VARIABLE SPEED MOTOR (ECM)

If the ECM blower motor is defect and that no spare is available right away, you can temporarily replace it with a conventional fractional PSC blower motor. Connect neutral wire to neutral terminal on the control panel of the machine and the hot line to the EAC terminal. This one is working as long as heating or cooling is requested, and the blower will work until a new ECM motor is installed.

#### CAUTION

We recommend using this mode only for a short period of time since it affects the efficiency of the unit and the user comfort.

## 4 MAINTENANCE



### WARNING

#### Electrical shock hazard.

Turn OFF power and fuel to the furnace before any disassembly or servicing.

Failure to do so can result in death, bodily injury and/or property damage.

Preventive maintenance is the best way to avoid unnecessary expense and inconvenience. Have your heating system and burner inspected by a qualified service technician at regular intervals.

To maintain the reliability and optimal performance of the furnace, have a complete combustion check done after the annual maintenance call. Do not attempt to repair the furnace or its controls. Call a qualified service technician.

ALWAYS KEEP THE OIL SUPPLY VALVESHUT OFF IF THE BURNER IS SHUT DOWN FOR AN EXTENDED PERIOD OF TIME.

Before calling for repair service check the following points:

1. Check the oil tank gauge and make sure that the valve is open.
2. Check fuses and the circuit breaker.
3. Check if the main disconnect switch is ON.
4. Set the thermostat above room temperature.
5. If ignition does not occur, turn off the disconnect switch and call a qualified service technician.

**When ordering replacement parts, please specify the complete furnace model number and serial number.**

### 4.1 CLEANING THE HEAT EXCHANGER

It is not generally necessary to clean the heat exchanger or flue pipe every year, but it is advisable to have the oil burner service technician check the unit before each heating season to determine whether the cleaning or replacement of parts is necessary.

If a cleaning is necessary, the following steps should be performed:

1. Turn OFF all utilities upstream from the furnace.
2. Disconnect the flue pipe.
3. Remove the flue collar panel located at the rear of the furnace.
4. Remove the clean-out door located at the front of the furnace.
5. Remove the heat exchanger baffles.
6. Disconnect the oil line and remove the oil burner.
7. Clean the secondary tubes and the primary cylinder with a stiff brush and a vacuum cleaner.
8. Before re-assembling the unit, the heat exchanger and combustion chamber should be inspected to determine if replacement is required.
9. After the cleaning replace the heat exchanger baffles, flue collar plate and oil burner.
10. Readjust the burner for proper operation.

### 4.2 CLEANING THE BLOCKED VENT SHUT-OFF DEVICE (BVSO)

For continuous safe operation, the Blocked Vent Shut-off device (BVSO) must be inspected and maintained annually by a qualified service technician.

1. **Disconnect power to the appliance.**
2. Remove the two screws holding on the BVSO assembly cover.
3. Remove the cover.
4. Remove the two screws holding the control box to the heat transfer tube assembly. Sliding the control box in the appropriate direction will unlock it from the heat transfer tube assembly.
5. Carefully remove any build-up from the thermal switch surface.

### CAUTION

Do not dent or scratch the surface of the thermal switch. If the thermal switch is damaged it **MUST** be replaced.

6. Clean and remove any build-up or obstruction inside the heat transfer tube.
7. Re-mount, lock and fasten the control box with the 2 screws removed in step 4.
8. Re-attach the assembly cover with the screws removed in step 2.
9. Re-establish power to the unit.

### 4.3 CLEANING OF THE BURNER HEAD

Once annually, remove the retention head and electrodes from the drawer assembly and remove all foreign matter, if necessary. Also clean the extremity of the burner tube, if necessary.

### 4.4 REPLACING THE NOZZLE

Replace the nozzle once a year with the one specified in Table 7.

### 4.5 REPLACING THE OIL FILTER

#### Tank Filter

The tank filter should be replaced as required. Follow the manufacturer's instructions.

#### Secondary Filter

The 10 microns, or finer, filter cartridge should be replaced annually. Follow the manufacturer's instructions.

### 4.6 REPLACING THE AIR FILTER

Dirty filters have an impact on the efficiency of the furnace and increase fuel consumption.

Air filters should be replaced at least once a year. Very dusty conditions, the presence of animal hair and the like will require more frequent changing or cleaning.

## 5 FURNACE INFORMATION

Model: \_\_\_\_\_ Serial number: \_\_\_\_\_

Furnace installation date: \_\_\_\_\_

Service telephone #Day: \_\_\_\_\_ Night: \_\_\_\_\_

Dealer name and address: \_\_\_\_\_

\_\_\_\_\_

\_\_\_\_\_

### START-UP RESULTS

Nozzle: \_\_\_\_\_ Pressure: \_\_\_\_\_ lb/po<sup>2</sup>

Burner adjustments: Primary air \_\_\_\_\_

Fine air \_\_\_\_\_

Drawer Assembly \_\_\_\_\_

CO<sub>2</sub>: \_\_\_\_\_ % Smoke scale: \_\_\_\_\_ (Bacharach)

Gross stack temperature: \_\_\_\_\_ °F

Ambient temperature: \_\_\_\_\_ °F

Chimney draft : \_\_\_\_\_ " W.C.

Overfire draft : \_\_\_\_\_ " W.C.

Test performed by: \_\_\_\_\_

# 6 DIMENSIONS AND RATINGS

Table 7: Technical Specifications

LOWBOY SERIES 098	UNITS WITH 1/3 HP 4-SPD. MOTOR		UNITS WITH 1/2 HP ECM MOTOR	
<b>RATING AND PERFORMANCE</b>				
Firing rate (USGPH)*	0.55	0.70	0.55	0.70
Input (BTU/h)*	77 000	98 000	77 000	98 000
Heating temperature rise (Degr. F)*	55 - 85 Degr. F		55 - 85 Degr. F	
Flue draft with chimney (inch of w.c.)	-0.06 to -0.025		-0.06 to -0.025	
Overfire pressure with chimney (inch of w.c.)	-0.035 to +0.010		-0.035 to +0.010	
Flue pressure with direct vent (inch of w.c. - no wind)	+0.03 to +0.20		+0.03 to +0.20	
Overfire pressure with direct vent (inch of w.c. - no wind)	+0.05 to +0.15		+0.05 to +0.15	
<b>BECKETT BURNER; MODEL AFG (Chimney) / Insertion</b>				
<b>AFG70MQSS / 1 3/4" (Note 1)</b>				
AHRI Model #	AMT077SD-BF	AMT098SD-BF	AMT077SV-BF	AMT098SV-BF
Maximum Heating capacity, (BTU/h)*	63 000	80 000	63 000	80 000
Head type	2 - Slot L2 Head		2 - Slot L2 Head	
Nozzle (Delavan)**	<b>0.50 - 60A</b>	0.60 - 60W	<b>0.50 - 60A</b>	0.60 - 60W
Pump pressure (PSIG)*	150	140	150	140
Head/Air setting	6/0	10/3	6/0	10/3
AFUE % (From CSA B212 standard and Canadian regulation)***	86.9%	86.4%	<b>86,9% ‡</b>	<b>86,4% ‡</b>
AFUE % (From ASHRAE 103 standard and US regulation)***	85.7%	85.1%	<b>85,7% ‡</b>	<b>85,1% ‡</b>
<b>BECKETT BURNER; MODEL NX (Chimney or DV) / Insertion</b>				
<b>NX56LQ / 1 3/4" (Note 2)</b>				
AHRI Model #	AMT077SD-BNX	AMT098SD-BNX	AMT077SV-BNX	AMT098SV-BNX
Maximum Heating capacity, (BTU/h)*	65 000	81 000	65 000	81 000
Head type	6 - Slot LQ Head		6 - Slot LQ Head	
Nozzle (Delavan)**	<b>0.50 - 60W</b>	0.60 - 60W	<b>0.60 - 60W</b>	0.65 - 60W
Pump pressure (PSIG)*	150	140	140	150
Head/Air setting	3,0	3,5	3,0	3,5
AFUE % (From CSA B212 standard and Canadian regulation)***	87.9%	86.3%	<b>87,9% ‡</b>	<b>86,3% ‡</b>
AFUE % (From ASHRAE 103 standard and US regulation)***	86.9%	85.2%	<b>86,9% ‡</b>	<b>85,2% ‡</b>
<b>RIELLO BURNER; MODEL 40-F3 (Chimney) / Insertion</b>				
<b>F3 WITH AIR INLET DAMPER / 2 3/4"</b>				
AHRI Model #	AMT077SD-RF	AMT098SD-RF	AMT077SV-RF	AMT098SV-RF
Maximum Heating capacity, (BTU/h)*	64 000	80 000	64 000	80 000
Nozzle (Delavan)**	<b>0.50 - 70A</b>	0.60 - 70A	<b>0.50 - 70A</b>	0.60 - 70A
Pump pressure (PSIG)*	150	140	150	140
Combustion air adjustment (turbulator/damper)	0 / 2.0	1 / 3.5	0 / 2.0	1 / 3.5
AFUE % (From CSA B212 standard and Canadian regulation)***	87.6%	86.3%	<b>87,6% ‡</b>	<b>86,3% ‡</b>
AFUE % (From ASHRAE 103 standard and US regulation)***	86.6%	85.2%	<b>86,6% ‡</b>	<b>85,2% ‡</b>
<b>RIELLO BURNER; MODEL 40-BF3 (Direct vent DV) / Insertion</b>				
<b>BF3 / 2 3/4"</b>				
AHRI Model #	AMT077SD-RBF	AMT098SD-RBF	AMT077SV-RBF	AMT098SV-RBF
Maximum Heating capacity, (BTU/h)*	65 000	81 000	65 000	81 000
Nozzle (Delavan)**	<b>0.50 - 70A</b>	0.60 - 70A	<b>0.50 - 70A</b>	0.60 - 70A
Pump pressure (PSIG)*	150	140	150	140
Combustion air adjustment (turbulator/damper)	0 / 3,5	1 / 5,25	0 / 3,5	1 / 5,25
AFUE % (From CSA B212 standard and Canadian regulation)***	87.1%	85.4%	<b>87,1% ‡</b>	<b>85,4% ‡</b>
AFUE % (From ASHRAE 103 standard and US regulation)***	86.7%	85.0%	<b>86,7% ‡</b>	<b>85,0% ‡</b>
<b>ELECTRICAL SYSTEM</b>				
Volts - Hertz - Phase	115 - 60 - 1		115 - 60 - 1	
Rated current (Amps)	12.2		10.3	
Minimum ampacity for wire sizing (Amps)	13.7		12.2	
Max. fuse size (Amps)	15		15	
Control transformer (VA)	40		40	
External control power available	Heating (VA)	40	40	40
	Cooling (VA)	30	30	30
<b>BLOWER DATA</b>				
Heating blower speed at 0.25" W.C. SP	MED-LOW	MED-HIGH	See the ECM air flow table	
Heating blower speed at 0.50" W.C. SP	MED-LOW	HIGH		
Motor (HP) / number of speeds	1/3 HP / 4 speed		1/2 HP / ECM	
Blower size (diam. x width)	10" x 10" (tight housing)		10" x 10" (tight housing)	
<b>GENERAL INFORMATION</b>				
Overall dimensions (width x depth x height)	21" x 47" x 34"		21" x 47" x 34"	
Supply air opening (width x depth)	20" x 20"		20" x 20"	
Return air opening (width x depth)	18" x 20"		18" x 20"	
Filter size and quantity	20" x 20" x 1" ou 2"		20" x 20" x 1" ou 2"	
Shipping weight Lbs/Kg	175 Lbs / 80 Kg		175 Lbs / 80 Kg	
Air conditioning, maximum output (tons) at 0.5" W.C. SP	3.0		3.0	

Note 1: With Low firing baffle # 3708

Note 2: With Low firing baffle # 32229

‡ =

**\* INPUT & OUTPUT ADJUSTMENT**

- Pump pressure can be adjusted to maintain proper firing rate.
- Adjust flue gas temperature between 400° and 575° F.
- Adjust fan speed for the air temperature rise specified.

**\*\* Default Installed Nozzle in bold characters**

**\*\*\* AFUE value established after minimum 20 hours of operation.**



**Table 8: Airflow Data, Models with 1/3 HP PSC motors**

BLOWER SPEED	EXTERNAL STATIC PRESSURE WITH AIR FILTER					
	0.2" (W.C.)	0.3" (W.C.)	0.4" (W.C.)	0.5" (W.C.)	0.6" (W.C.)	0.7" (W.C.)
<b>HIGH</b>	1420	1335	1240	1180	1085	1025
<b>MED-HIGH</b>	1275	1230	1170	1095	1045	960
<b>MED-LOW</b>	1015	1000	955	915	860	785
<b>LOW</b>	815	785	775	730	690	635

**Table 9: Airflow Data, Models with 1/2 HP ECM motors**

OIL HEATING MODE 24 VAC input (R) on W only				
SW1- HEAT DIP switch position	HEAT INPUT (USGPH)	CFM with SW3-ADJ DIP switch position A	CFM with SW3-ADJ DIP switch position B	CFM with SW3-ADJ DIP switch position C
A (1=OFF, 2=OFF)	0.70	1260	1385	1135
B (1=ON, 2=OFF)	0.55	1050	1155	945
*C (1=OFF, 2=ON)	0.55	850	935	765
D (1=ON, 2=ON)	Same value as DIP switch position A			

CONTINUOUS FAN 24 VAC input (R) on G only				
SW2- COOL DIP switch position	A/C size (TON)	CFM with SW3-ADJ DIP switch position A	CFM with SW3-ADJ DIP switch position B	CFM with SW3-ADJ DIP switch position C
A (1=OFF, 2=OFF)	3.0	900	1036	765
B (1=ON, 2=OFF)	2.5	750	860	635
C (1=OFF, 2=ON)	2.0	600	690	510
D (1=ON, 2=ON)	1.5	450	515	380

COOLING OR HEAT PUMP HEATING MODE 24 VAC input (R) to G, Y/Y2 and O (for cooling)				
SW2- COOL DIP switch position	A/C size (TON)	CFM with SW3-ADJ DIP switch position A	CFM with SW3-ADJ DIP switch position B	CFM with SW3-ADJ DIP switch position C
A (1=OFF, 2=OFF)	3.0	1200	1320	1080
B (1=ON, 2=OFF)	2.5	1000	1100	900
C (1=OFF, 2=ON)	2.0	800	880	720
D (1=ON, 2=ON)	1.5	600	660	540

In Cooling - Dehumidification mode, with no 24 VAC input to DH, the CFMs are reduced by 15%.  
The CFMs shown are reduced by 20% if there is 24 VAC input to Y1 (first stage cooling mode)

DELAY PROFILE FOR OIL HEATING MODE				
SW4- DELAY DIP switch position	HEAT INPUT (USGPH)	PreRun On-Delay CFM Level - Time	ShortRun On-Delay CFM Level - Time	Off-Delay CFM Level - Time
A (1=OFF, 2=OFF)	0.7	13% - 45 sec.	19% - 30 sec	38% - 3 min.
B (1=ON, 2=OFF)	0.55	13% - 45 sec.	19% - 60 sec	38% - 3 min.
*C (1=OFF, 2=ON)	0.55	13% - 60 sec.	13% - 60 sec	38% - 3 min.
D (1=ON, 2=ON)	All	13% - 30 sec.	100% - 0 sec	100% - 2 min.

PreRun and ShortRun are the periods of time when the the blower starts at very low CFM to minimize the distributon of cool air in the system and then runs up to normal speed.  
Off Delay is the time required to cool down the heat exchanger with low CFMs, to minimize cool draft in the air distribution system.

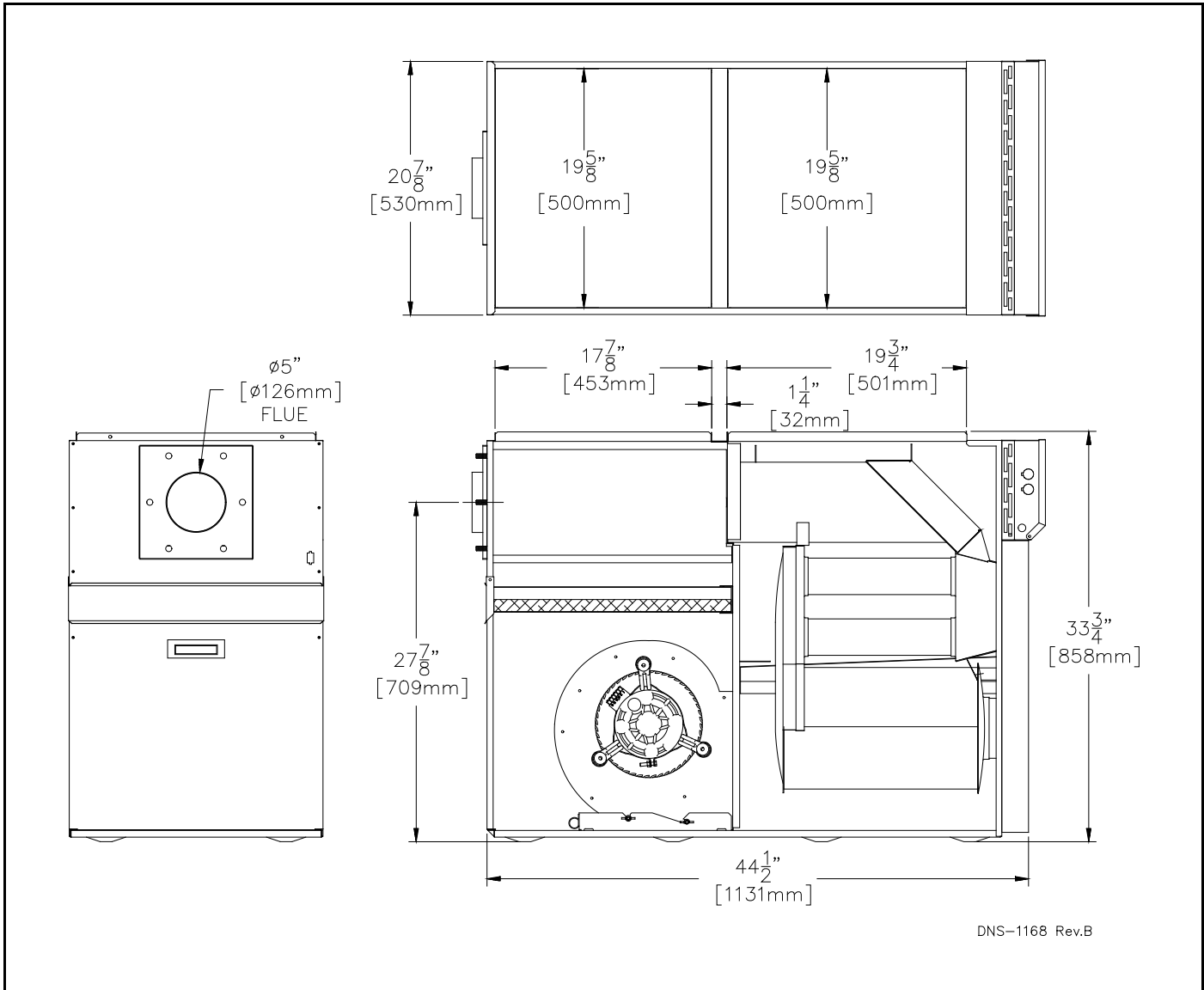
DELAY PROFILE FOR COOLING OR HEAT PUMP HEATING MODE				
No adjustment required	A/C size	PreRun On-Delay CFM Level - Time	ShortRun On-Delay CFM Level - Time	Off-Delay CFM Level - Time
-	All	NO DELAY	NO DELAY	100% - 90 sec

\* Alternate adjustment in oil-fired heating mode with higher temperature rise

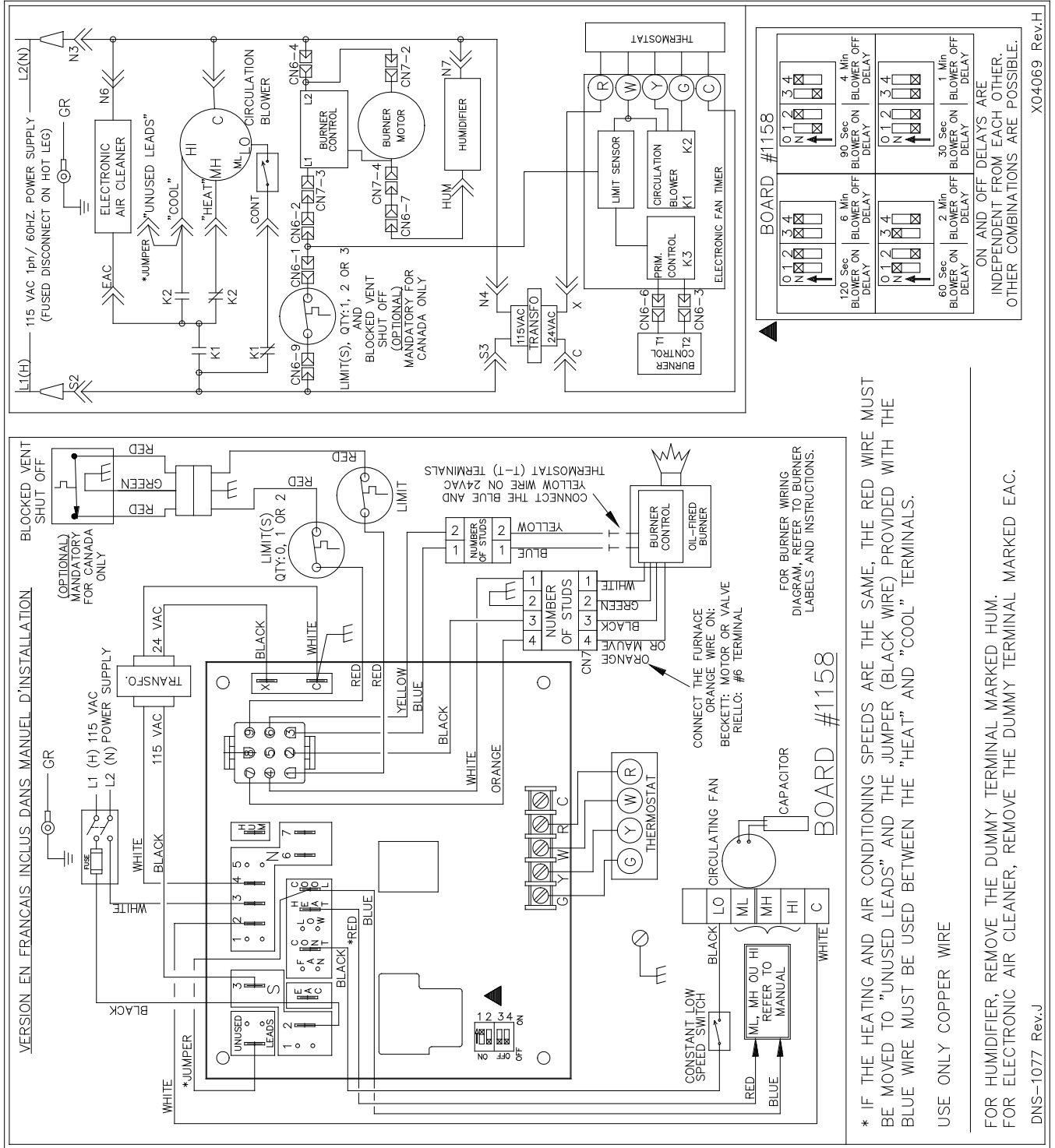
**Table 10: Minimum clearances from combustible material**

LOCATION	APPLICATION	CLEARANCES (combustible materials)	RECOMMENDED ACCESS FOR SERVICE
SIDES	FURNACE	2.54 cm (1")	0.6 m (24")
	SUPPLY PLENUM WITHIN 6 FEET OF FURNACE	2.54 cm (1")	
BACK	ACCESS PANEL TO BLOWER	10.16 cm (4")	0.6 m (24")
TOP	FURNACE OR PLENUM	5.08 cm (2")	
	HORIZONTAL WARM AIR DUCT WITHIN 6 FEET OF FURNACE	5.08 cm (2")	
BOTTOM	FURNACE (COMBUSTIBLE FLOOR)	0 cm (0")	
FLUE PIPE	AROUND FLUE PIPE	22.86 cm (9")	
FRONT	FURNACE	20.32 cm (8")	0.6 m (24")

**Figure 6: Furnace Dimensions**

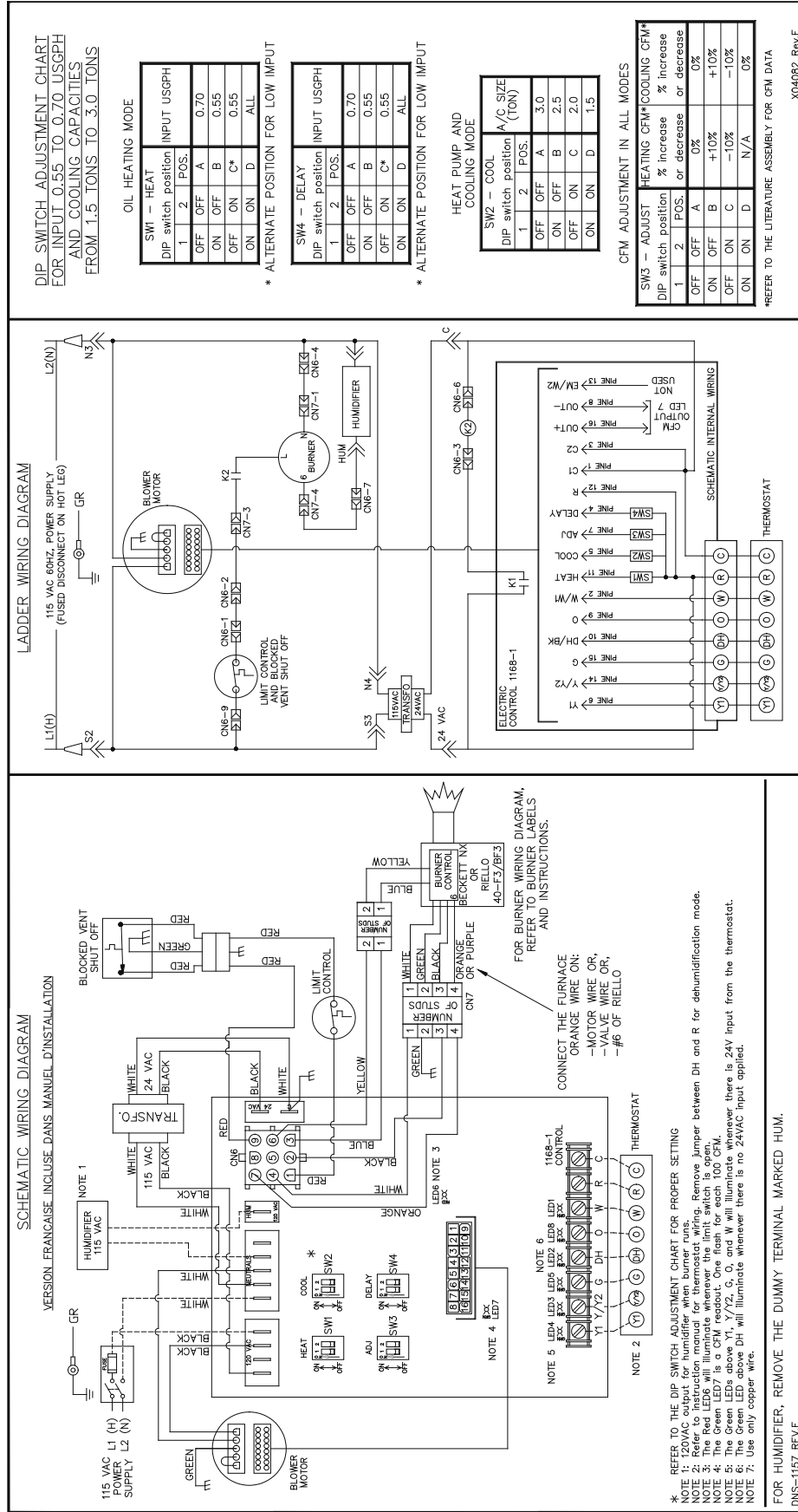


**Figure 7: Wiring Diagram - 4 Speed Motor (PSC)**



X04069 Rev.H

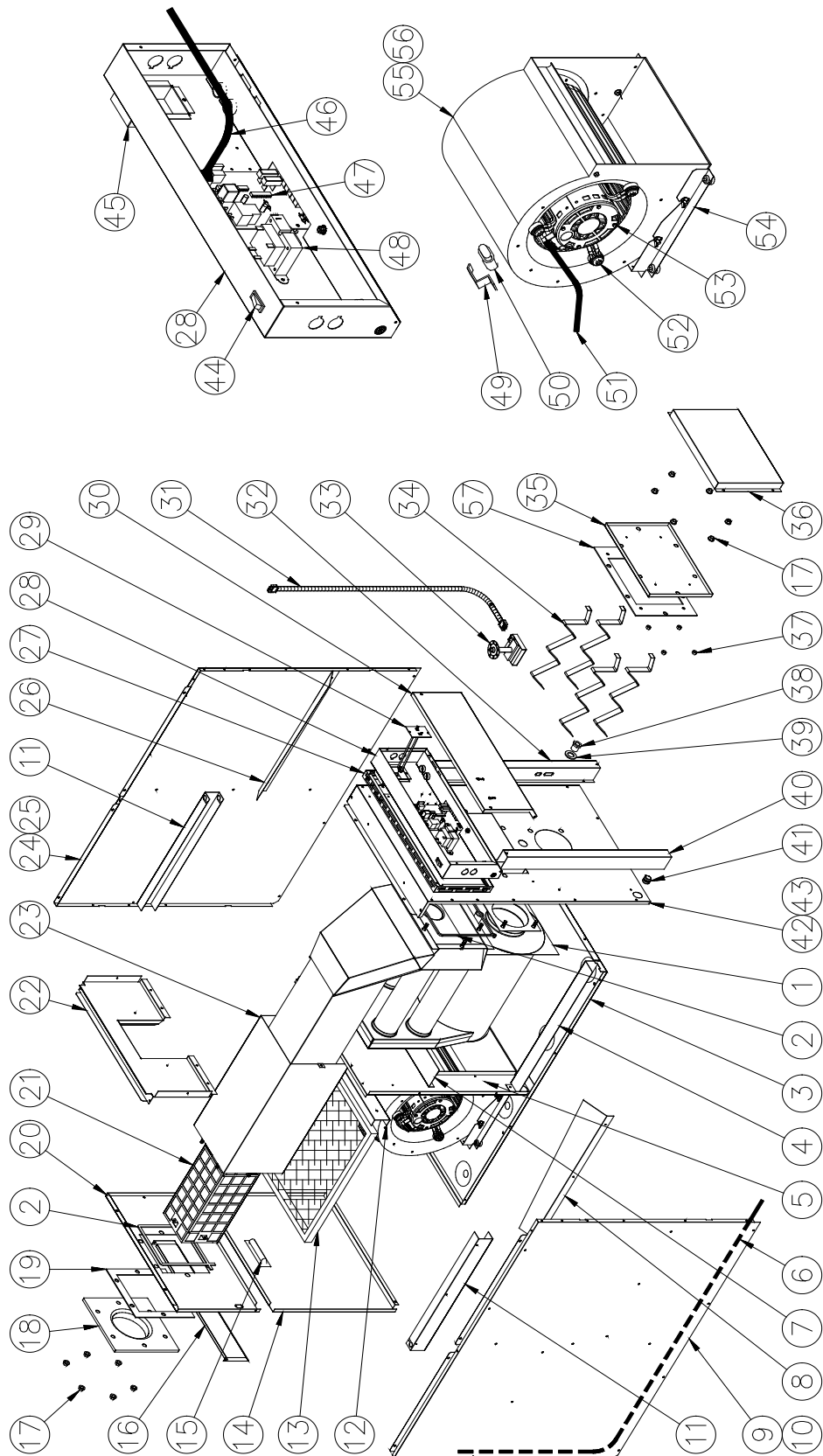
**Figure 8: Wiring Diagram - Variable Speed Motor (ECM)**





# 7 COMPONENTS AND PARTS LIST

Figure 9: Parts List - With 4 Speed motor PSC

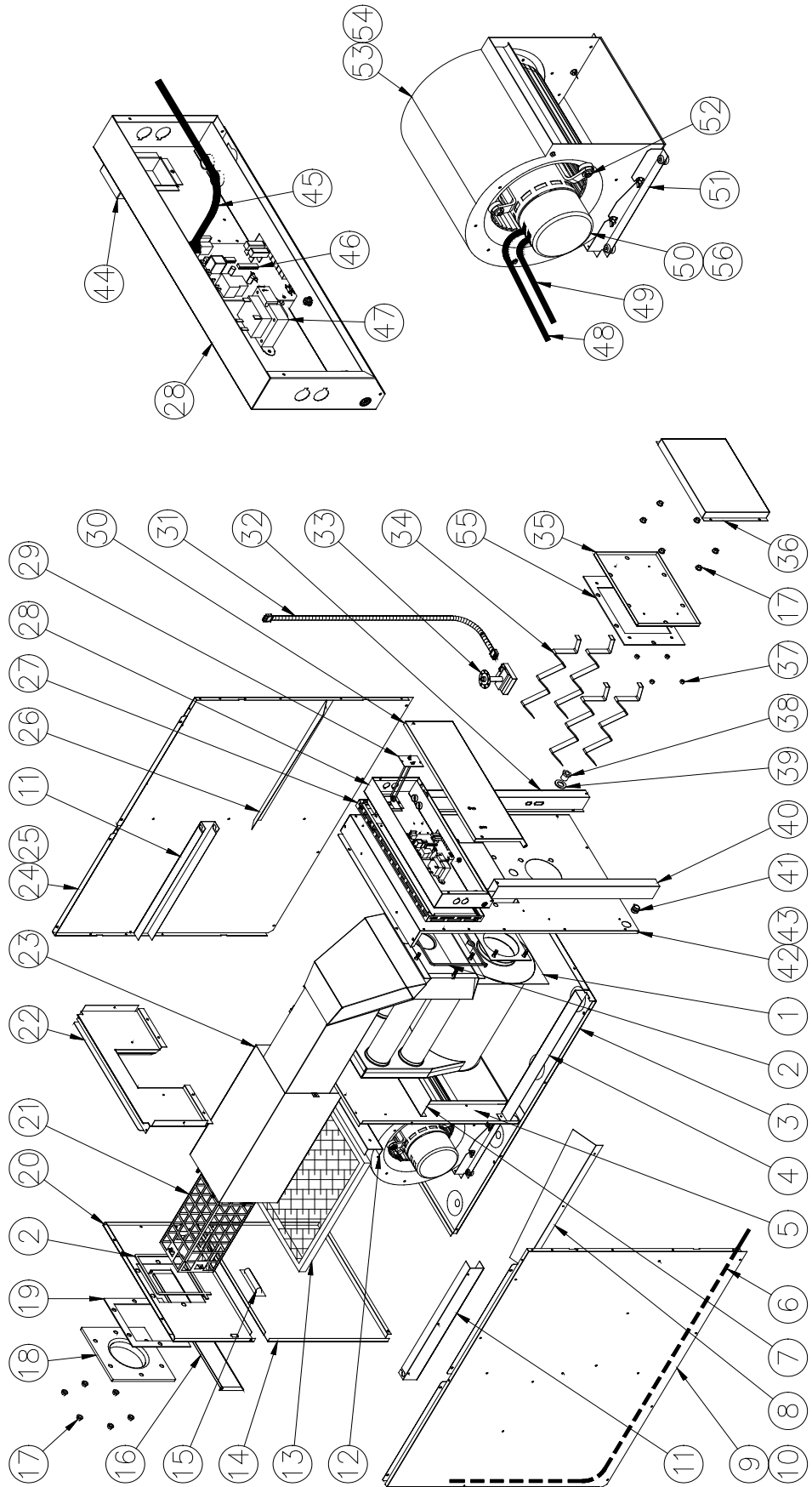


**Table 11: Part List – With 4 sped motor PSC**

ITEM	PART #	DESCRIPTION	COMMENTS
1	B03540	HEAT EXCHANGER ASSEMBLY	Heat exchanger only
2	J06L002	EXTRUDED JOINT 1/4 X 1/8 X 25'	
3	B03570	FLOOR ASSEMBLY	
4	B03561	INSIDE WIRE CHANEL	
5	B03572	LOWER DIVIDER ASSEMBLY	Includes panel, 3 gaskets and baffle
6	B03335-02	INT. ELECTRICAL KIT BVSO	
7	B03560	REAR BAFFLE	
8	B03559-02	SIDE BAFFLE	
9	B03571-02	PANEL ASSEMBLY, LEFT SIDE	Includes panel, insulation and baffle
10	B03589-02	SIDE PANEL INSULATION	
11	B03562	SIDE FILTER RACK	
12	B03563	REAR FILTER RACK	
13	Z04F004	PAPER FILTER 20 X 20 X 1	
14	B03576	BLOWER DOOR ASSEMBLY	Includes door, door handle and labels
15	Z99F050	RECESS HANDLE BLACK	
16	B03577	REAR FILTER DOOR ASSEMBLY	
17	F07O001	HEX FLANGE NUT 3/8-16NC LAITON	
18	B01697	FLUE OUTLET FLANGE, 5" DIA.	
19	B01214	GASKET, SMOKE PIPE COVER	
20	B03578	TOP REAR PANEL ASSEMBLY	
21	B03593	SOUND TRAP ASSEMBLY	Includes sound trap and insulation
22	B03558	TOP DIVIDER	
23	B03564	OUTLET PROTECTOR	
24	B03571-01	PANEL ASSEMBLY, RINGHT SIDE	Includes panel, insulation and baffle
25	B03589-01	SIDE PANEL INSULATION	
26	B03559-01	SIDE BAFFLE	
27	B03553	ELECTRICAL BOX SPACER	
28	B03549	ELECTRICAL BOX	
29	R02R008	HIGH LIMIT CTL205-30F, 7 in.	
30	B03550	ELECTRICAL BOX COVER	Panel only
31	B03118-01	ELECTRICAL KIT BVSO EXT.	
32	B03596	BURNER WIRE CHANEL	
33	Z06G001	BLOCKED VENT SHUT-OFF BVSO-225-A	
34	B03567	BAFFLE	4 baffles required for complete kit
35	B03587	CLEAN OUT ASSEMBLY	
36	B03574	PROTECTION COVER ASSEMBLY	
37	F07F011	HEX NUT 3/8-16NC ZINC	
38	Z99F061	SIGHT GLASS FOR HEAT EXCHANGER	
39	F06F015	ZINC WASHER 1 7/16" M20	
40	B03554	WIRE CHANEL	
41	L04I010	STRAIN REL. BUSHING	
42	B03573	FRONT PANEL ASSEMBLY	Includes panel, insulation, observation door gasket
43	B03590	FRONT PANEL INSULATION	
44	L07F003	ROCKER SWITCH SPST	
45	B03555	THERMO DISK PROTECTOR	
46	B03465	ELECTRICAL KIT (BOARD)	
47	R99G004	ELECTRONIC BOARD #1158	
48	L01F009	TRANSFORMER 120-24Volts, 40VA	
49	B01024	CAPACITOR HOLDER	
50	L01I001	CAPACITOR 5 MF 370V	
51	B01664	ELECTRICAL KIT	
52	B01888	MOTOR MOUNT ASSEMBLY	Include legs, band and fasteners
53	B01890-01	1/3 MOTOR AND SUPPORT ASS'Y	Includes motor and legs
54	B30473	BLOWER SUPPORT	
55	B03720-04	BLOWER ASSEMBLY WITH LABEL	Housing, wheel and label only
56	B01405-03	REPLACEMENT BLOWER ASSEMBLY	Includes blower, motor and capacitor
57	B03428	GASKET, SMOKE OUTLET	
58	L01G009	CONTROL CARD FUSE - 3 AMPS	
ACCESSORIES			
VTK-54 VTK-098 KLAVT0101DET	VENT TERMINAL KIT 4"		For sealed combustion
IFV-420 IFV098-20 KLAJV0201DET	4" INSULATED FLEX VENT 20ft		For sealed combustion (B02551-10)
N01J054 KLABR0401BEC	BECKETT AFG BURNER (0.50-60A NOZZLE)		
N01J050 KLABR0101BEC	BECKETT NX BURNER (0.50-60A NOZZLE)		
N01F054 KLABR0101RLO	RIELLO 40-F3 BURNER (0.50-70A NOZZLE)		
N01F055 KLABR0201RLO	RIELLO 40-BF3 BURNER (0.50-70A NOZZLE)		For sealed combustion

B50082H

**Figure 10: Parts List - With variable speed motor ECM**



**Table 12: Parts List - With variable speed motor ECM**

ITEM	PART #	DESCRIPTION	COMMENTS
1	B03540	HEAT EXCHANGER ASSEMBLY	Heat exchanger only
2	J06L002	EXTRUDED JOINT 1/4 X 1/8 X 25'	
3	B03570	FLOOR ASSEMBLY	
4	B03561	INSIDE WIRE CHANEL	
5	B03572	LOWER DIVIDER ASSEMBLY	Includes panel, 3 gaskets and baffle
6	B03335-02	INT. ELECTRICAL KIT BVSO	
7	B03560	REAR BAFFLE	
8	B03559-02	SIDE BAFFLE	
9	B03571-02	SIDE PANEL ASSEMBLY	Includes panel, insulation and baffle
10	B03589-02	SIDE PANEL INSULATION	
11	B03562	SIDE FILTER RACK	
12	B03563	REAR FILTER RACK	
13	Z04F004	PAPER FILTER 20 X 20 X 1	
14	B03576	BLOWER DOOR ASSEMBLY	Includes door, door handle and labels
15	Z99F050	RECESS HANDLE BLACK	
16	B03577	REAR FILTER DOOR ASSEMBLY	
17	F07O001	HEX FLANGE NUT 3/8-16NC LAITON	
18	B01697	FLUE OUTLET FLANGE, 5" DIA.	
19	B01214	GASKET, SMOKE PIPE COVER	
20	B03578	TOP REAR PANEL ASSEMBLY	
21	B03593	SOUND TRAP ASSEMBLY	Includes sound trap and insulation
22	B03558	TOP DIVIDER	
23	B03564	OUTLET PROTECTOR	
24	B03571-01	SIDE PANEL ASSEMBLY	Includes panel, insulation and baffle
25	B03589-01	SIDE PANEL INSULATION	
26	B03559-01	SIDE BAFFLE	
27	B03553	ELECTRICAL BOX SPACER	
28	B03534	ELECTRICAL BOX	
29	R02R008	HIGH LIMIT CTL205-30F, 7 in.	
30	B03550	ELECTRICAL BOX COVER	Panel only
31	B03118-01	ELECTRICAL KIT BVSO EXT.	
32	B03596	BURNER WIRE CHANEL	
33	Z06G001	BLOCKED VENT SHUT-OFF BVSO-225-A	
34	B03567	BAFFLE	4 baffles required for complete kit
35	B03587	CLEAN OUT ASSEMBLY	
36	B03574	PROTECTION COVER ASSEMBLY	
37	F07F011	HEX NUT 3/8-16NC ZINC	
38	Z99F061	SIGHT GLASS FOR HEAT EXCHANGER	
39	F06F015	ZINC WASHER 1 7/16" M20	
40	B03554	WIRE CHANEL	
41	L04I010	STRAIN REL. BUSHING	
42	B03573	FRONT PANEL ASSEMBLY	Includes panel, insulation, observation door gasket
43	B03590	FRONT PANEL INSULATION	
44	B03555	THERMO DISK PROTECTOR	
45	B03465	ELECTRICAL KIT (BOARD)	
46	R99G003	ELECTRONIC BOARD #1168	
47	L01F009	TRANSFORMER 120-24Volts, 40VA	
48	B03243-01	ELECTRIC BLOWER KIT (5 WIRES)	
49	B03242-01	ELECTRONIC BLOWER KIT (16 WIRES)	
50	B03811-13	EON ECM MOTOR 1/2 HP	
51	B30473	BLOWER SUPPORT	
52	B01888	MOTOR MOUNT ASSEMBLY	Include legs, band and fasteners
53	B03720-04	BLOWER ASSEMBLY WITH LABEL	Housing, wheel and label only
54	B03321-02	REPLACEMENT BLOWER ASSEMBLY	Includes blower, motor and capacitor
55	B03428	GASKET, SMOKE OUTLET	
56	N/A	MOTOR MODULE 1/2 ECM	
57	L01G009	CONTROL CARD FUSE - 3 AMPS	
<b>ACCESSORIES</b>			
VTK-54 VTK-098 KLAVT0101DET	VENT TERMINAL KIT 4"		For sealed combustion
IFV-420 IFV098-20 KLAJV0201DET	4" INSULATED FLEX VENT 20ft		For sealed combustion (B02551-10)
N01J054 KLABR0401BEC	BECKETT AFG BURNER (0.50-60A NOZZLE)		
N01J050 KLABR0101BEC	BECKETT NX BURNER (0.50-60A NOZZLE)		
N01F054 KLABR0101RLO	RIELLO 40-F3 BURNER (0.50-70A NOZZLE)		
N01F055 KLABR0201RLO	RIELLO 40-BF3 BURNER (0.50-70A NOZZLE)		For sealed combustion