

Strata DNSAME230R

ERV - Energy Recovery Air Exchanger with Recirculation

Side Port Model



CSA-C439-18

Features

Air flow and performance

- Fully adjustable air flow (230 cfm @ 0 in.w.g.).
- 68% sensible recovery effectiveness at 0 °C (32 °F) 30 L/s,
- 58% sensible recovery effectiveness at -25 °C (-13 °F) 26 L/s.
- Recirculation defrosts.

Voltage Benefit

- 120V, 60Hz, 1.1A.
- Reduce heating demand in winter and cooling demand in summer.
- Whisper quiet: factory calibrated and balanced.

Construction

- Easy installation and maintenance.
- Designed and manufactured in Canada to operate in variable climatic conditions.
- Door and housing in corrosion-resistant galvanized steel, 24-gauge, pre-painted neutral white.
- Convenient, screwless hinged door.
- Ultra-thin: 12 in. (305 mm).
- No drain required.
- Lightweight for ease of installation: 43 lb (19.5 kg).
- Port size: 6 in. (152 mm).
- Side Port model only.

Motor

- Reverse air flow configuration available as a factory installed option (-R). For further explanation, please refer to the document Normal and Reverse.
- Backdraft damper required on fresh air inlet (not supplied).
- Energy-efficient, sealed European motor with closed housing and automatic reset thermal protection.
- Balancing without flow keys. 100% electronic adjustment. Pressure ports integrated into the door for precise, easy balancing.

Energy recovery core

- High-efficiency 100% polymer core, extremely durable.
- Recovers both latent and sensible energy. (Heat and Humidity).
- Meets or exceeds - ASHRAE 90.1-2010.
- Washable in soapy water to recover its full effectiveness without deterioration or contamination.

Control/timer

- Antimicrobial protection - ISO846.
- Avoid virus transfer - ASTM F-1671 tested.
- Zero crossflow contamination - Certified according to AHRI 1060
- UL94 HB Flammability tested.
- Optional Decora-style wall-mounted control/timer (SA-LT15).
INTERMITTENT (20-40) - CONTINUOUS - OFF - Timer (20-40-60 minutes).

Installation

- Furnace interconnect plug connector factory installed.
- Can be ceiling-mounted or suspended.
- Easily installed in the ceiling void or just below the fire-rated ceiling.
- Set of nylon suspension straps included for installation.

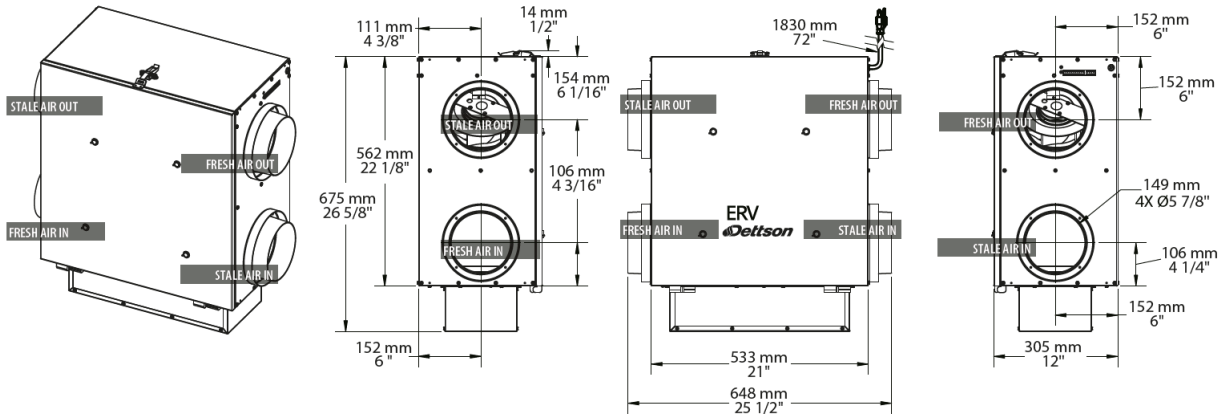
Setting

- Balance the unit using the supplied instruction named: Balancing.
- All the installer needs are the required flow rates, a manometer, and 5 minutes to adjust and balance the system.
- Simply specify the air flow rates for LOW SPEED and HIGH SPEED.
- The static pressure of the system should ideally be less than or equal to the static pressure indicated by the graph for HIGH SPEED.
- You don't have to worry about static pressure to limit air flow or adding flow keys as other devices. All you must do is provide ducting that doesn't limit maximum flow, and the unit's adjustments will allow you to fine-tune flow rates.

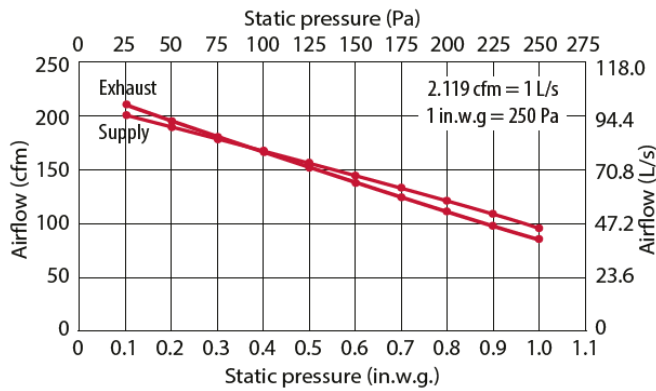
Warranty Application

- **Motor 5-year. Other parts except filters and pre-filters 1-year.**
- The ideal solution for high-rise apartments and medium-size homes.
- Purifies the air by expelling many pollutants, dust, and allergens to the outside, while ensuring an equivalent supply of fresh air in the home.

Side Port Model



ERV DNSAME230R - Curves at highest speed



Energy ratings - HVI certified

Supply temperature		Air flow		Power	Sensible recovery (SRE) ¹	Adjusted Sensible Recovery	Latent recovery / moisture transfer
°C	°F	cfm	L/s				
Heating							
0	32	47	22	62	70	79	67
0	32	64	30	76	68	76	61
0	32	85	40	90	66	73	56
-25	-13	55	26	81	58	62	56
Cooling							
					Total recovery efficiency	Adjusted total recovery efficiency	
35	95	47	22	62	56	62	63

Models

Product #	cfm	Recirculation	SRE ¹ 0 °C 30 L/s	SRE ¹ -25 °C 26 L/s	Port in. mm	Volts	Hertz	Amp.	lb	Weight kg
ERV Energy recovery air exchanger 230 cfm (Side Port) with recirculation										
DNSAME230RS	230	Yes	68%	58%	6 152	120	60	1.1	43	19.5

Options

Product # Kit	Product # Factory installed*	Description	Qty
-	R	Reverse air flow	
SA-LT15	-	Decora wall-mounted control/timer for residential energy recovery air exchangers (ERV)	

* For factory installed options, add the option number to the product number. See the **Product Code** section inside the front cover.

¹ SRE: Sensitive Recovery Effectiveness

Others

Type	Quantity	Model and description Complementary informations	Volts	Phase	Watts	Length mm/in.	Informations Color/installation

Specifications may change without prior notice

Project:	Approval Information
Consultant Engineer:	
Electrical Contractor:	
Distributor:	
Date:	
Contact at manufacturer:	
Comments:	